	<b>DIMENSIONS (Cm)</b>	<b>Effective</b> 152 x 85 x h.110
		<b>On Pallet</b> 155 x 105 x h.120
	<b>WEIGHT (Kg)</b>	<b>Effective</b> 1280
		<b>On Pallet</b> 1320
	<b>OIL</b>	With viscosity = 680 Quantity = 8 lt.
	<b>ELECTRIC MOTOR</b>	400V - 50HZ 10 HP - 7,5 kW
<b>RPM</b>	30	


<b>Cutting capability</b>	<b>R. = 65 Kg. / mm<sup>2</sup></b>			<b>R. = 85 Kg. / mm<sup>2</sup></b>		
	1 Ø 64	2 Ø 44	3 Ø 36	1 Ø 54	2 Ø 36	3 Ø 30

**TECHNICAL FEATURES**

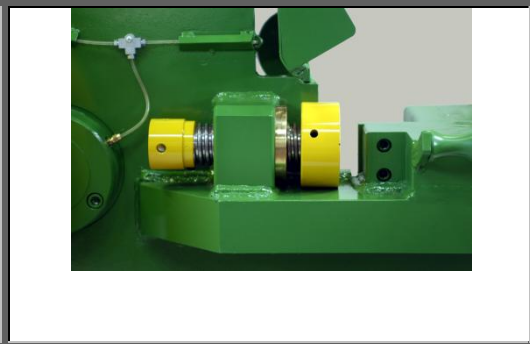
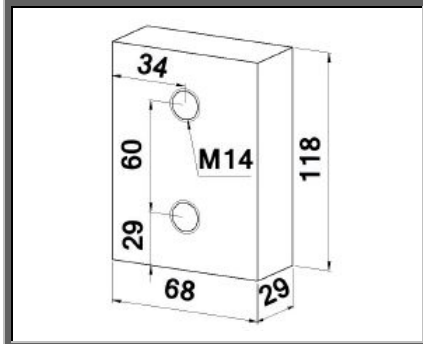
- Completely new projected machine body in monoblock made of spheroidal cast iron;
- Gearing in cemented steel;
- Reinforced mechanical parts for a better resistance and performance;
- Higher Cutting capability;
- Special Screw Locator to align perfectly one or more rod between the blades.

**OPTIONAL**

**BASE AND PEDAL**  
This system is recommended when a working bench is used to lay the bars, allowing the operator to work maintaining a correct posture and minimizing the effort.



**STANDARD EQUIPMENT**



**BLADES**  
On each cutting machine, 2 hardened steel blades are already fitted.

**SCREW LOCATOR**  
Allows perfect alignment of one rod or more between the blades and the achievement of perfectly perpendicular cuts.

**LUBRIFICATION SYSTEM**  
Thanks to the new construction system, the parts that require it are easily reached by a single point of grazing.