

 **6300E**

# SENEBOGEN



**PRELIMINARY**



**570 / 708 / 840 kW**



**300 t**



**80,3 m**



**MAX CAB**

# 6300E

## HD

Duty Cycle Crane

# 6300E Technical data, equipment

# HD

## MACHINE TYPE

Model (Type) **6300**

## ENGINE

Power **Cat C18, 570 kW / 775 PS bei 1800 min<sup>-1</sup>**  
**Cat C27, 708 kW / 963 PS bei 1800 min<sup>-1</sup>**  
**Cat C32, 840 kW / 1142 PS bei 1800 min<sup>-1</sup>**  
 Direct injection, turbo-charged, charge air cooler

Cooling Water cooled

Air filter Dry filter with pre-separator, automatic dust discharge, main element and safety element, contamination indicator

Fuel tank **1900 l**

Elect. System **24 V**

Batteries **2 x 180 Ah**, main switch

## UPPERCARRIAGE

Design Torsion-resistant box design, precision crafted, bronze bushings for boom bearing arrangement  
 Clear, service-friendly concept, engine installed in the longitudinal direction

Lighting LED spotlights for optimal illumination of the work area

Safety Camera monitoring of the rear area and right side

Options

- Maritime climate paint finish as corrosion protection
- Low-temperature package
- Ballast support fixture
- Pinion tooth lubrication for outer slewing ring
- Automatic central lubrication system for equipment and inner slewing ring

## HYDRAULIC SYSTEM

**Four-circuit hydraulic system** for optimal function and capacity, running all movements simultaneously is possible. The hydraulic pumps are variable displacement piston pumps with individual control and energy-saving flow-on-demand control. The pumps only request as much oil as is actually consumed. Pressure cut-off, load limit sensing control

Operating pressure **up to 330/350 bar**

Filtration High-efficiency filtration with long-time change interval, pollution indicator

Hydraulic tank **2000 l**

Control system Proportional, precision hydraulic servo controllers of work movements, 2 hydraulic servo joysticks for work functions, supplemental functions via switches and foot pedals – arranged clearly and ergonomically. High energy efficiency through large dimensioned hydraulic valves and lines. Central test ports for hydraulic circuit. Safety valves for all hydraulic circuits.

Options

- SENNEBOGEN HydroClean micro-filter system with water separator
- Supplemental hydraulic system with up to 600 l/min

## SLEWING DRIVE

Gearbox 2 Compact planetary gear with slant axis hydraulic motor

Parking brake Spring-loaded disk brake

Slewing ring Ball bearing rotary connection, abgedichtet

Slewing speed 0 - 3,6 min<sup>-1</sup>, 3 adjustable slewing speeds

Options

- 3. gearbox

## CAB MAXCAB

Cab type maXcab rigid, foldable for transport

Cab equipment SENNEBOGEN maXcab with sliding door, excellent ergonomics, climate automation, seat heater, air-suspension comfort seat, fresh air filter / circulating air filter, excellent overview, SENNEBOGEN Diagnostic System

Options

- Auxiliary heating system with timer
- Cab active-charcoal filter – inside air/ outside air
- Sliding window in the operator door
- Armored glass windshield, additional safety
- Armored glass roof window, additional safety
- Safety window side and rear window
- Sunblind for windshield
- Dachschutzgitter
- FOPS-Dachschutzgitter
- Protective roof grating
- Radio with speakers
- Cab tilttable 15°
- elevating cab, foldable for transport
- additional cameras

# 6300E Technical data, equipment

# HD

## ATTACHEMENTS

Design	Decades of experience and the latest computer simulations guarantee the greatest degree of stability and longest service life.
Boom adjustment winch	Drive via slant axis hydraulic motor with compact planetary gear, pulling force 2 x 165 kN, rope diameter 26 mm
Safety brake	Spring-loaded disk brake
Positioning speed	15° - 85° in approx. 90 seconds
Crane safety	Latest generation of load moment monitoring, Display shows all important data, lifting limit switch, pressure relief
Options	<ul style="list-style-type: none"> <li>■ Fairlead for dragline use</li> <li>■ HD sheaves with reinforced suspension</li> </ul>

<b>Winches</b>	35 t	45 t
Rope winch (rated load) 1. Layer	350 kN	450 kN
Rope diameter	36 mm	42 mm
Rope speed 1. Layer	0-80 m/min	0-105 m/min
Rope capacity 1. Layer	77 m	74 m
Options	<ul style="list-style-type: none"> <li>■ Grapple steadying winch 60/120 kN</li> <li>■ Winch synchronization - the main winches 1 and 2 can be individually synchronized with the Joystick or through the code switch. Therefore absolute equality is guaranteed.</li> <li>■ Grapple closing automatic for 2-rope-grapple operation - 100 % closed grapple and equal distribution of the load to the two winches</li> <li>■ Combilink - dragline steering for powerful release for the grab winch</li> <li>■ Stepless adjustable free fall speed</li> </ul>	

## UNDERCARRIAGE

Design	Crawler undercarriage with integrated, protected drives
Drive	Strong travel drive with axial piston hydraulic motor and directly attached automatically functioning brake valve and compact planetary gear per each running gear side;
Parking brake	Multi-disc brake, spring-loaded
Travelling gear	Maintenance-free flat track system with hydraulic track tensioning system Flat base plates 1200 mm wide
Speed	<b>0 - 1,4 km/h</b>
Optionen	<ul style="list-style-type: none"> <li>■ Flat base plates 1500 mm wide</li> </ul>

## WINCH

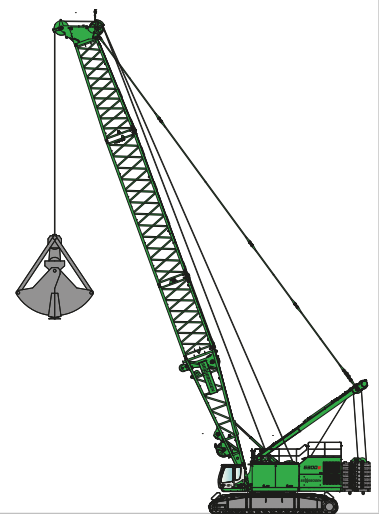
Each winch is driven independently by a directly flanged pressure regulated variable displacement hydraulic piston motor, this ensures at any time the best regulation of line speed and line pull.

Hydraulic brake valves for wear resistant braking of loads. Strong low-maintenance oil bath planetary gears. The clutch and brake functions are effected by large-dimensioned, maintenance-free, low-wearing, oil-lubricated multiple disc brakes, oil cooled.

The individually, variable adjustable winch brake supports actively the driver, prevents loose ropes and takes care of the machine.

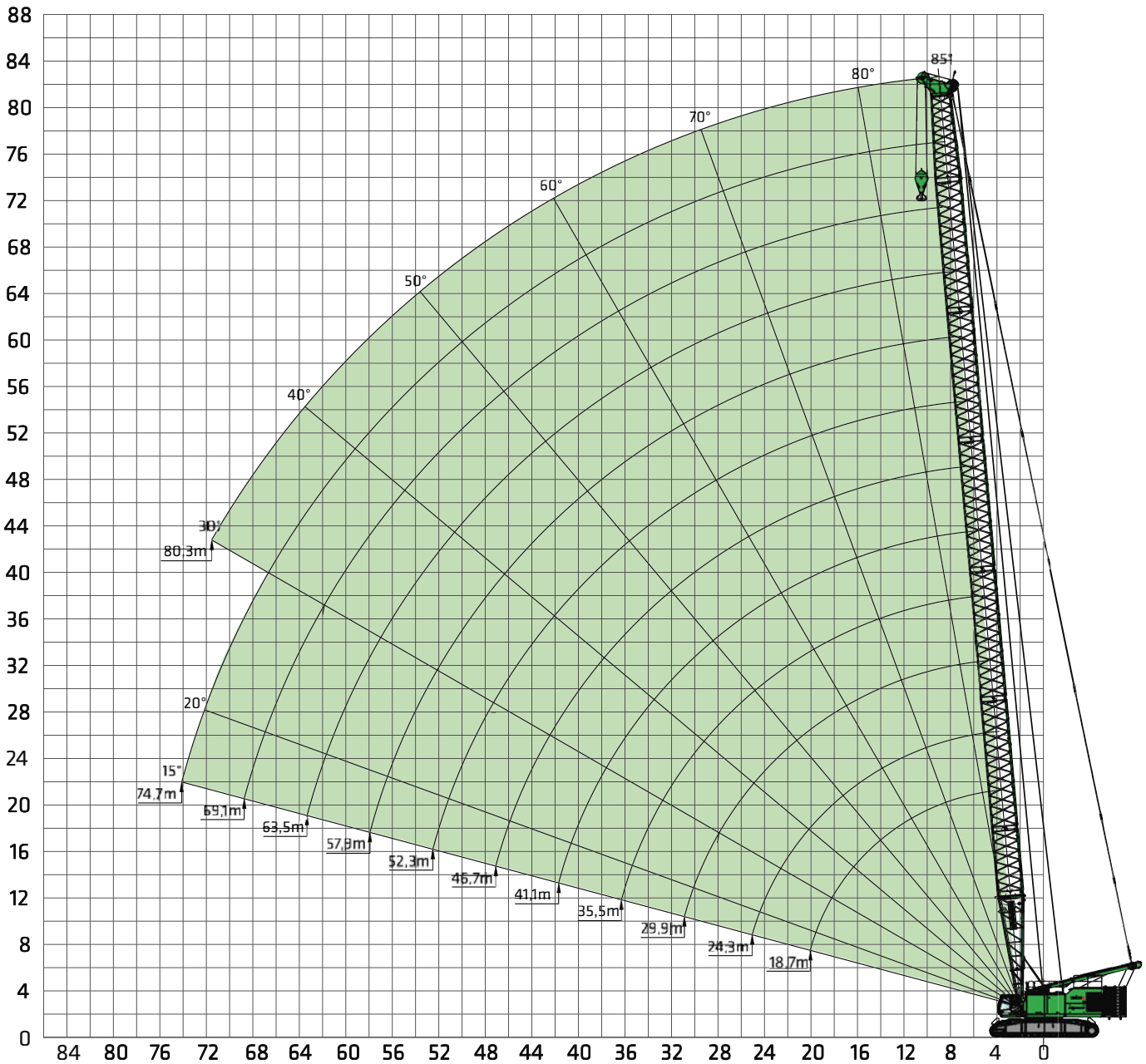
## OPERATING WEIGHT

Mass	<b>approx. 255.000 kg (315.000 kg)</b>
Note	6300 HD basic machine with mit 1200 mm base plates, 2 main winches 450 kN, main boom 18,7 m, 450 m hoisting rope, counterweight 85 t (105 t +40 t)
Note	The operating weight varies depending on version and equipment.



# 6300E Heavy duty boom

# HD



**Boom configuration - Main boom SH**

		Boom configuration - Main boom SH											
Boom length		18,7	24,3	29,9	35,5	41,1	46,7	52,3	57,9	63,5	69,1	74,7	80,3
Lower boom SH Type 2989	9,8 m	1	1	1	1	1	1	1	1	1	1	1	1
Lower boom add-on part SH Type 2989-V	5,6 m	0	1	0	1	0	1	0	1	0	1	0	1
Boom insert SH Type 2989	11,2 m	0	0	1	1	2	2	3	3	4	4	5	5
Boom insert conical SH Type 2989	7,4 m	1	1	1	1	1	1	1	1	1	1	1	1
Boom top section T300-HD	1,5 m	1	1	1	1	1	1	1	1	1	1	1	1
Auxiliary jib S48 (optional)	42,0 t	x	x	x	x	x	x	x	x	x	x	x	x

# 6300E Safe working loads excavator SH

# HD



 85 t 0 t	Boom length[m]											
	18,7	24,3	29,9	35,5	41,1	46,7	52,3	57,9	63,5	69,1	74,7	80,3
5,0	68,2											
6,0	68,2	68,2	68,2									
7,0	68,2	68,2	68,2	68,2	68,2							
8,0	68,2	68,2	68,2	68,2	68,2	68,2	68,2					
9,0	68,2	68,2	68,2	68,2	68,2	68,2	68,2	68,2	68,2			
10,0	68,2	68,2	68,2	68,2	68,2	68,2	68,2	68,2	68,2	68,2	68,2	
11,0	68,2	68,2	68,2	68,2	68,2	68,2	68,2	68,2	68,2	68,2	68,2	68,2
12,0	68,2	68,2	68,2	68,2	68,2	68,2	68,2	68,2	68,2	68,2	68,2	68,2
13,0	68,2	68,2	68,2	68,2	68,2	68,2	68,2	68,2	68,2	68,2	68,2	68,2
14,0	68,2	68,2	68,2	68,2	68,2	68,2	68,2	68,2	68,2	68,2	67,5	64,5
15,0	68,2	68,2	68,2	68,2	68,2	68,2	68,2	68,2	66,2	63,0	60,0	
16,0	68,2	68,2	68,2	68,2	68,2	68,2	68,0	64,8	61,8	59,0	56,0	
17,0	68,2	68,2	68,2	68,2	67,7	66,5	63,5	60,5	57,9	55,0	52,5	
18,0	64,4	63,9	63,6	63,0	62,5	61,8	59,5	56,9	54,4	51,8	49,2	
19,0	59,8	59,3	59,0	58,4	57,8	57,2	56,0	53,4	51,0	48,7	46,4	
20,0	55,8	55,3	54,9	54,3	53,8	53,1	52,6	50,4	48,2	45,8	43,8	
22,0		48,6	48,2	47,5	47,0	46,3	45,8	45,1	43,0	41,0	39,0	
24,0		43,1	42,7	42,1	41,6	40,9	40,3	39,6	38,7	36,7	35,0	
26,0			38,3	37,6	37,1	36,4	35,8	35,1	34,4	33,1	31,5	
28,0			34,5	33,9	33,3	32,6	32,0	31,3	30,6	29,9	28,4	
30,0			31,4	30,7	30,1	29,4	28,8	28,1	27,4	26,7	25,7	
32,0				28,0	27,4	26,7	26,1	25,3	24,7	23,9	23,2	
34,0				25,6	25,0	24,3	23,7	22,9	22,3	21,5	20,9	
36,0				23,6	23,0	22,2	21,6	20,9	20,2	19,4	18,8	
38,0					21,1	20,4	19,8	19,0	18,3	17,6	16,9	
40,0					19,5	18,8	18,1	17,4	16,7	15,9	15,3	
42,0					18,1	17,3	16,7	15,9	15,2	14,5	13,8	
44,0						16,0	15,4	14,6	13,9	13,1	12,4	
46,0						14,8	14,2	13,4	12,7	11,9	11,2	
48,0							13,1	12,3	11,6	10,8	10,1	
50,0							12,1	11,3	10,6	9,8	9,2	
52,0							11,3	10,4	9,7	8,9	8,2	
54,0								9,6	8,9	8,1	7,4	
56,0								8,9	8,1	7,3	6,6	
58,0								8,2	7,4	6,6	5,9	
60,0									6,8	6,0	5,3	
62,0									6,2	5,4	4,7	
64,0										4,8	4,1	
66,0										4,3		
68,0										3,9		
70,0												
72,0												
74,0												
76,0												
Parts reeving												

Ø 42 mm  
Ø 36 mm

#### Notes:

1. The rated loads shown are based on the machine on firm level ground.
2. The rated loads shown are in metric tons valid for 360 degrees swing.
3. The safe working loads do not exceed 75% of the tipping load.
4. The weight of the attachment (Hook, Grapple) has to be deducted from the safe working load.
5. The lifting of a load, which exceeds the max. winch pulling force of a winch, is only allowed when every single winch is not overloaded.

Winch pulling force [kN]	350	450
Rope diameter [mm]	36	42
Min. breaking load [kN]	1243	1598
max. safe working load in one winch operations [t]	35,0	45,0
max. safe working load in two winch operations(5) [t]	53,0	68,2

# 6300E Safe working loads crane SH

# HD



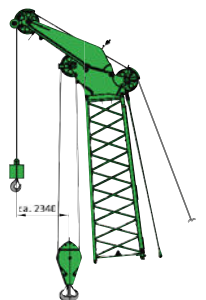
85 t 0 t	Boom length [m]											
	18,7	24,3	29,9	35,5	41,1	46,7	52,3	57,9	63,5	69,1	74,7	80,3
5,0	300,0	300,0/5,5										
6,0	300,0	300,0	282,0	240,0/6,4	205,0/6,9							
7,0	272,0	250,0	232,0	215,0	201,0	178,0/7,4	157,0/7,9					
8,0	226,0	210,0	196,0	184,0	173,0	164,0	154,5	140,0/8,4	125,0/8,9			
9,0	188,8	181,0	170,0	160,0	152,0	144,0	136,8	130,0	123,0	113,0/9,4	102,5/9,9	
10,0	158,4	157,7	150,0	142,0	135,0	128,5	122,0	117,0	111,0	105,8	101,0	
11,0	136,2	135,4	134,0	127,0	121,0	116,0	111,0	106,0	101,0	96,5	92,0	
12,0	119,2	118,4	117,9	115,0	110,0	105,5	101,0	96,5	92,5	88,5	85,0	
13,0	105,8	105,0	104,5	103,8	100,5	96,5	92,0	88,5	85,0	81,5	78,0	
14,0	95,0	94,1	93,6	92,9	92,4	88,5	85,0	81,5	78,5	75,0	72,0	
15,0	86,0	85,1	84,6	83,8	83,3	82,0	78,5	75,5	72,5	69,5	67,0	
16,0	78,5	77,6	77,0	76,3	75,7	75,1	73,0	70,3	67,5	64,5	62,0	
17,0	72,2	71,2	70,6	69,8	69,3	68,6	68,1	65,5	63,0	60,5	58,0	
18,0	66,7	65,7	65,1	64,3	63,7	63,0	62,5	61,4	59,0	56,5	54,4	
19,0	61,9	60,9	60,3	59,4	58,8	58,2	57,6	56,8	55,4	53,0	51,0	
20,0	57,8	56,7	56,0	55,2	54,6	53,9	53,4	52,5	51,9	49,9	47,9	
22,0	56,3/20,4	49,7	49,0	48,1	47,5	46,8	46,2	45,3	44,7	44,0	42,5	
24,0		44,2	43,3	42,4	41,8	41,0	40,4	39,5	38,9	38,2	37,4	
26,0		40,2/25,8	38,7	37,8	37,1	36,3	35,7	34,8	34,2	33,4	32,6	
28,0			34,9	33,9	33,2	32,4	31,8	30,8	30,2	29,4	28,6	
30,0			31,8	30,6	29,9	29,0	28,4	27,5	26,8	26,1	25,2	
32,0			30,2/31,2	27,9	27,0	26,2	25,5	24,6	23,9	23,2	22,3	
34,0				25,5	24,6	23,7	23,1	22,1	21,4	20,6	19,8	
36,0				23,6	22,5	21,6	20,9	19,9	19,2	18,4	17,6	
38,0				23,0/36,6	20,7	19,7	19,0	18,0	17,3	16,5	15,6	
40,0					19,1	18,1	17,3	16,3	15,6	14,8	13,9	
42,0					17,8	16,6	15,8	14,8	14,1	13,2	12,3	
44,0						15,3	14,5	13,4	12,7	11,8	11,0	
46,0						14,2	13,3	12,2	11,5	10,6	9,7	
48,0						13,5/47,4	12,2	11,1	10,4	9,5	8,6	
50,0							11,3	10,2	9,3	8,4	7,5	
52,0							10,5	9,3	8,4	7,5	6,6	
54,0							10,2/52,9	8,5	7,6	6,7	5,7	
56,0								7,8	6,9	5,9	5,0	
58,0								7,2	6,2	5,2	4,2	
60,0								7,1/58,3	5,6	4,5	3,6	
62,0									5,0	3,9	3,0	
64,0									4,7/63,7	3,4	2,4	
66,0										2,9		
68,0										2,5		
70,0										2,3/69,1		
72,0												
74,0												
76,0												
	TAB.-Nr. 6300R-80/3504/85.0/04.14 SH											
Parts reeving	10 12*	10 12*	9 12*	8 11	7 9	6 8	5 7	5 6	4 6	4 5	4 5	

Ø 42 mm  
Ø 36 mm

**Notes:**

1. The rated loads shown are based on the machine on firm level ground without travelling.
2. The rated loads shown are in metric tons valid for 360 degrees swing.
3. Liftcrane capacities are calculated to comply with ISO 4305 table 1+2 and the tilting angle method (tilting angle 4 deg.)
4. The rated loads shown include the weight of all lifting attachments, such as hook and bucket.
5. The rated loads shown are valid for max. undercarriage track width.
6. The users must derate or limit the lifted loads to allow for adverse conditions such as soft or uneven ground, out of level conditions, wind, side loads, pendulum action, jerking or sudden stopping of loads, inexperience of personnel and travelling with a load.
7. Max. single line pull for crane operation with rope diameter 36 mm - 24.000 kg (max. lifting capacity 273t)  
with rope diameter 42 mm - 33.000 kg
8. Loads are valid for the SH-boom (boom assembly acc.operation manual).
9. Lifting chart values apply to optimum boom assembly and boom head with steel sheaves.

**Auxiliary Jib SH**  
max. Capacity 48 t



# 6300E Safe working loads crane SH

# HD



 105 t 40 t	Boom length [m]											
	18,7	24,3	29,9	35,5	41,1	46,7	52,3	57,9	63,5	69,1	74,7	80,3
5,0	300,0	300,0/5,5										
6,0	300,0	300,0	300,0	284,5/6,4	255,0/6,9							
7,0	300,0	300,0	288,5	269,0	251,0	222,0/7,4	196,0/7,9					
8,0	280,0	261,0	245,0	230,0	216,5	205,0	194,0	175,0/8,4	158,0/8,9			
9,0	236,1	225,0	212,0	200,0	190,0	180,0	171,0	163,0	155,0	143,0/9,4	128,5/9,9	
10,0	198,5	197,8	187,0	177,8	169,0	161,0	154,0	146,0	140,0	134,0	128,0	114,6/10,3
11,0	170,9	170,1	167,0	159,0	152,0	145,0	139,0	133,0	127,5	122,0	117,0	112,0
12,0	149,8	149,0	148,4	144,0	138,0	132,0	126,5	121,5	116,5	111,5	107,0	102,9
13,0	133,2	132,4	131,7	130,7	126,0	121,0	116,0	111,5	107,0	103,0	98,9	95,0
14,0	119,7	118,9	118,2	117,2	116,6	111,0	107,0	103,0	99,0	95,0	91,5	88,0
15,0	108,6	107,7	107,0	106,0	105,4	103,0	99,5	95,5	92,0	88,5	85,0	81,5
16,0	99,3	98,4	97,7	96,6	96,0	95,5	92,5	89,0	85,5	82,5	79,4	76,0
17,0	91,4	90,5	89,7	88,7	88,0	87,5	86,8	83,0	80,0	77,0	74,0	71,4
18,0	84,6	83,6	82,8	81,8	81,1	80,6	79,8	78,0	75,0	72,0	69,5	67,0
19,0	78,7	77,7	76,9	75,8	75,1	74,6	73,8	73,2	70,6	68,0	65,5	63,0
20,0	73,6	72,5	71,6	70,5	69,9	69,3	68,5	67,9	67,4	64,0	61,5	59,0
22,0	71,7/20,4	63,8	62,9	61,8	61,0	60,4	59,6	59,0	58,5	57,6	55,0	52,9
24,0		56,8	55,9	54,7	54,0	53,3	52,5	51,9	51,3	50,4	49,9	47,4
26,0		51,8/25,8	50,2	48,9	48,2	47,5	46,7	46,0	45,4	44,5	44,0	43,0
28,0			45,4	44,2	43,3	42,6	41,8	41,1	40,5	39,6	39,0	38,1
30,0			41,5	40,1	39,3	38,5	37,7	36,9	36,4	35,4	34,8	33,9
32,0			39,5/31,2	36,7	35,8	35,0	34,1	33,4	32,8	31,8	31,2	30,3
34,0				33,8	32,8	31,9	31,1	30,3	29,7	28,7	28,1	27,2
36,0				31,4	30,2	29,3	28,4	27,6	27,0	26,0	25,4	24,4
38,0				30,8/36,6	28,0	27,0	26,0	25,2	24,6	23,6	23,0	22,0
40,0					26,0	24,9	24,0	23,1	22,5	21,4	20,8	19,9
42,0					24,5	23,1	22,1	21,3	20,6	19,5	18,9	17,9
44,0						21,6	20,5	19,6	18,9	17,8	17,2	16,2
46,0						20,2	19,0	18,1	17,4	16,3	15,7	14,7
48,0						19,3/47,4	17,8	16,7	16,0	14,9	14,3	13,3
50,0							16,6	15,5	14,7	13,7	13,0	12,0
52,0							15,6	14,4	13,6	12,5	11,8	10,8
54,0							15,3/52,9	13,5	12,6	11,5	10,7	9,7
56,0								12,6	11,6	10,5	9,8	8,7
58,0								11,9	10,8	9,6	8,9	7,8
60,0								11,8/58,3	10,0	8,8	8,1	7,0
62,0									9,4	8,1	7,3	6,2
64,0									8,9/63,7	7,5	6,6	5,5
66,0										6,9	6,0	4,9
68,0										6,4	5,4	4,3
70,0										6,1/69,1	4,8	3,7
72,0											4,4	3,2
74,0											4,0	2,7
76,0											3,9/74,5	
<b>Parts reeving</b>	<b>10</b> 12*	<b>10</b> 12*	<b>10</b> 12*	<b>10</b> 12*	<b>9</b> 12	<b>7</b> 10	<b>7</b> 9	<b>6</b> 8	<b>5</b> 7	<b>5</b> 7	<b>4</b> 6	<b>4</b> 6

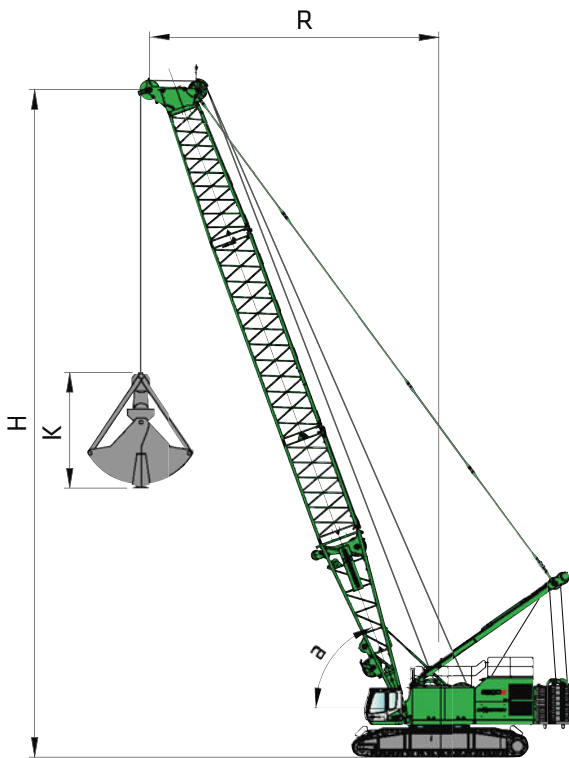
Ø 42 mm  
Ø 36 mm

### Notes:

- The rated loads shown are based on the machine on firm level ground without travelling.
- The rated loads shown are in metric tons valid for 360 degrees swing.
- Liftcrane capacities are calculated to comply with ISO 4305 table 1+2 and the tilting angle method (tilting angle 4 deg.)
- The rated loads shown include the weight of all lifting attachments, such as hook and bucket.
- The rated loads shown are valid for max. undercarriage track width.
- The users must derate or limit the lifted loads to allow for adverse conditions such as soft or uneven ground, out of level conditions, wind, side loads, pendulum action, jerking or sudden stopping of loads, inexperience of personnel and travelling with a load.
- Max. single line pull for crane operation with rope diameter 36 mm - 24.000 kg (max. lifting capacity 273t)  
with rope diameter 42 mm - 33.000 kg
- Loads are valid for the SH-boom (boom assembly acc.operation manual).
- Lifting chart values apply to optimum boom assembly and boom head with steel sheaves.

# 6300E Grab equipment

# HD



85 t	Main boom [m]																	
	24,3			29,9			35,5			41,1			46,7			52,3		
$\alpha$	R	H		R	H		R	H		R	H		R	H		R	H	
70°	11,6	25,0	68,2	13,5	30,3	68,2	15,4	35,6	68,2	17,3	40,8	58,2	19,2	46,1	49,7	21,1	51,3	42,7
65°	13,5	24,1	68,2	15,8	29,2	66,9	18,2	34,3	54,7	20,6	39,3	45,5	22,9	44,4	38,5	25,3	49,5	32,8
50°	15,3	23,0	68,2	18,1	27,9	55,5	20,9	32,7	45,1	23,7	37,6	37,2	26,5	42,4	31,3	29,3	47,3	26,3
55°	17,0	21,8	60,9	20,2	26,4	47,5	23,5	31,0	38,4	26,7	35,5	31,4	29,9	40,1	26,2	33,1	44,7	21,8
50°	18,6	20,4	53,8	22,2	24,7	41,7	25,8	29,0	33,5	29,4	33,3	27,2	33,0	37,6	22,5	36,6	41,9	18,5
45°	20,1	18,9	48,4	24,1	22,8	37,4	28,0	26,8	29,9	32,0	30,8	24,1	36,0	34,7	19,7	39,9	38,7	16,0
40°	21,5	17,2	44,3	25,8	20,8	34,0	30,1	24,4	27,1	34,3	28,0	21,7	38,6	31,6	17,6	42,9	35,2	14,1
35°	22,7	15,5	41,2	27,3	18,7	31,5	31,8	21,9	24,9	36,4	25,1	19,8	41,0	28,3	15,9	45,6	31,6	12,6
30°	23,7	13,6	38,7	28,6	16,4	29,5	33,4	19,2	23,2	38,3	22,0	18,4	43,1	24,8	14,7	48,0	27,6	11,5
25°	24,6	11,7	36,9	29,7	14,1	28,0	34,7	16,4	22,0	39,8	18,8	17,3	44,9	21,2	13,7	50,0	23,5	10,7
20°	25,3	9,7	35,5	30,6	11,6	26,8	35,8	13,5	21,0	41,1	15,5	16,4	46,3	17,4	13,0	51,6	19,3	10,0
15°	25,8	7,6	34,5	31,2	9,1	26,0	36,6	10,5	20,3	42,0	12,0	15,8	47,5	13,4	12,5	52,9	14,9	9,6

#### Notes:

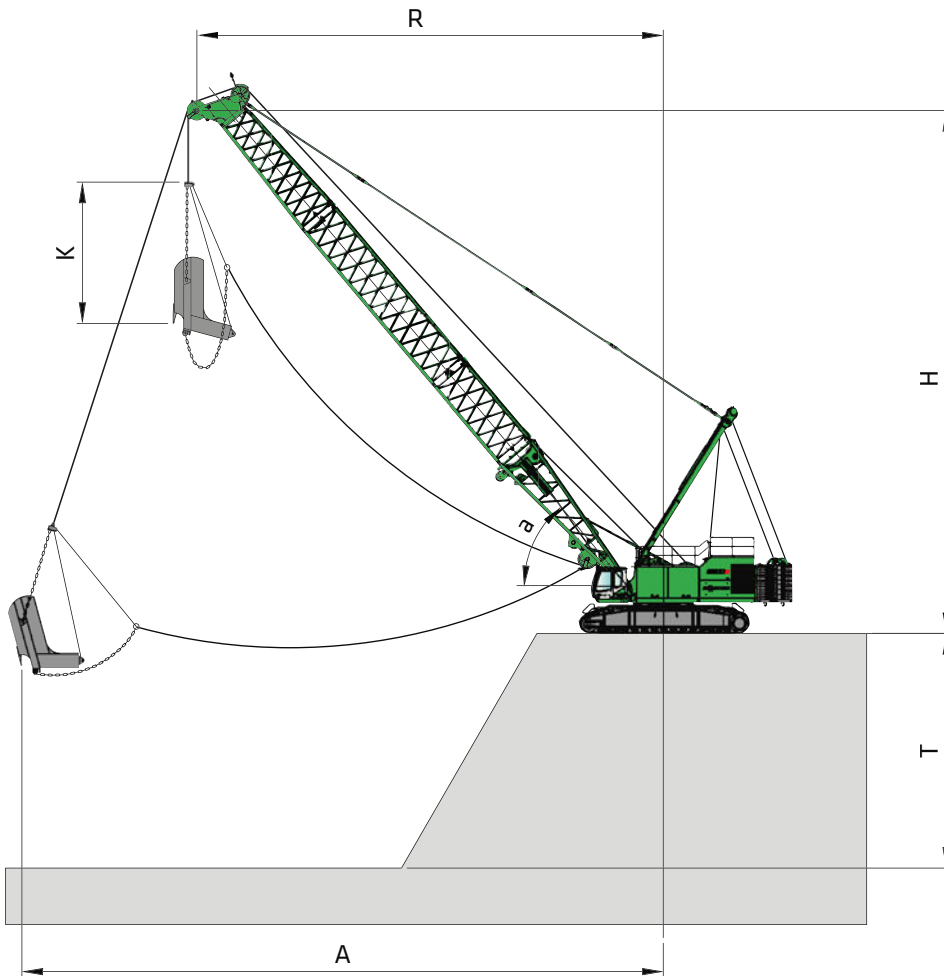
- The specified safe working load values apply for firm and level stance of the machine.
- The safe working load values are specified in tons (t) and apply for 360 degrees.
- The safe working loads apply for the maximum outrigger width / undercarriage track width.
- The specified safe working loads include the grapple weight and do not exceed 66.7% of the tipping load.
- For operation with a mechanical two-rope grapple, the safe working load is limited by the permissible rope tension or the maximum winch pulling force of a winch.

Winch pulling force [kN]	350	450
Rope diameter [mm]	36	42
Min. breaking load [kN]	1243	1598
max. safe working load one winch operation [t]	35,0	45,0
max. safe working load two winch operation (5) [t]	53,0	68,2



# 6300E Dragline bucket equipment

# HD



Dredging area:  
 R = Working radius  
 A = max. dredging width = approx.  
     R + 1/3 bis 1/2 (H-K)  
 T = Dredging depth = approx.  
     40-50% von R  
 H = Height  
 K = Length of dragline bucket

85 t	Main boom [m]																	
	24,3			29,9			35,5			41,1			46,7			52,3		
⊗ <sup>a</sup>	R	H	⊗	R	H	⊗	R	H	⊗	R	H	⊗	R	H	⊗	R	H	⊗
60°	15,3	23,0	45,0	18,1	27,9	45,0	20,9	32,7	45,0	23,7	37,6	41,9	26,5	42,4	35,2	29,3	47,3	29,6
55°	17,0	21,8	45,0	20,2	26,4	45,0	23,5	31,0	43,2	26,7	35,5	35,4	29,9	40,1	29,4	33,1	44,7	24,5
50°	18,6	20,4	45,0	22,2	24,7	45,0	25,8	29,0	37,7	29,4	33,3	30,6	33,0	37,6	25,3	36,6	41,9	20,8
45°	20,1	18,9	45,0	24,1	22,8	42,0	28,0	26,8	33,6	32,0	30,8	27,1	36,0	34,7	22,2	39,9	38,7	18,0
40°	21,5	17,2	45,0	25,8	20,8	38,3	30,1	24,4	30,5	34,3	28,0	24,4	38,6	31,6	19,8	42,9	35,2	15,9
35°	22,7	15,5	45,0	27,3	18,7	35,4	31,8	21,9	28,0	36,4	25,1	22,3	41,0	28,3	17,9	45,6	31,6	14,2
30°	23,7	13,6	43,6	28,6	16,4	33,2	33,4	19,2	26,2	38,3	22,0	20,7	43,1	24,8	16,5	48,0	27,6	12,9
25°	24,6	11,7	41,5	29,7	14,1	31,5	34,7	16,4	24,7	39,8	18,8	19,4	44,9	21,2	15,4	50,0	23,5	12,0
20°	25,3	9,7	39,9	30,6	11,6	30,2	35,8	13,5	23,6	41,1	15,5	18,5	46,3	17,4	14,6	51,6	19,3	11,3
15°	25,8	7,6	38,8	31,2	9,1	29,3	36,6	10,5	22,9	42,0	12,0	17,8	47,5	13,4	14,0	52,9	14,9	10,8

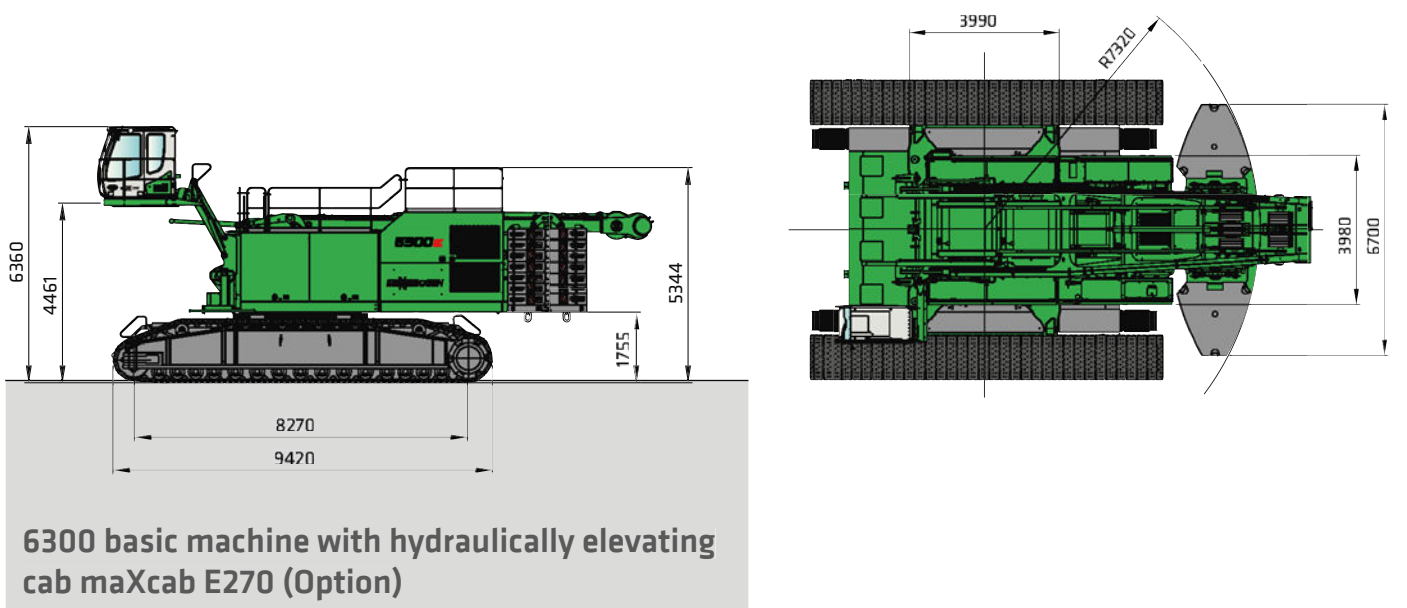
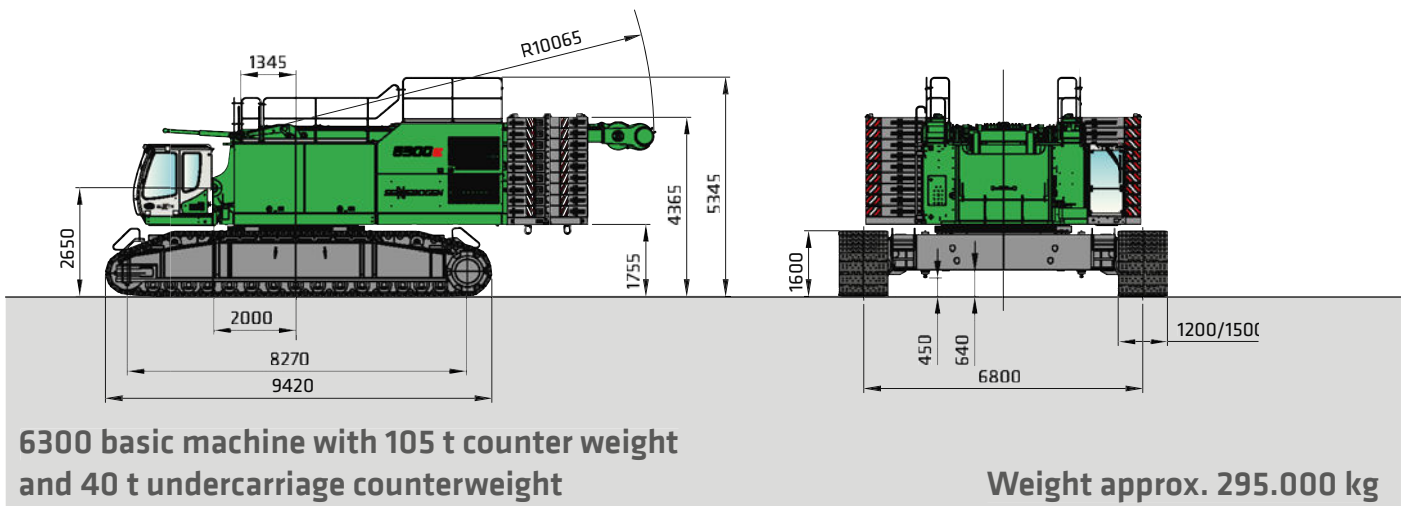
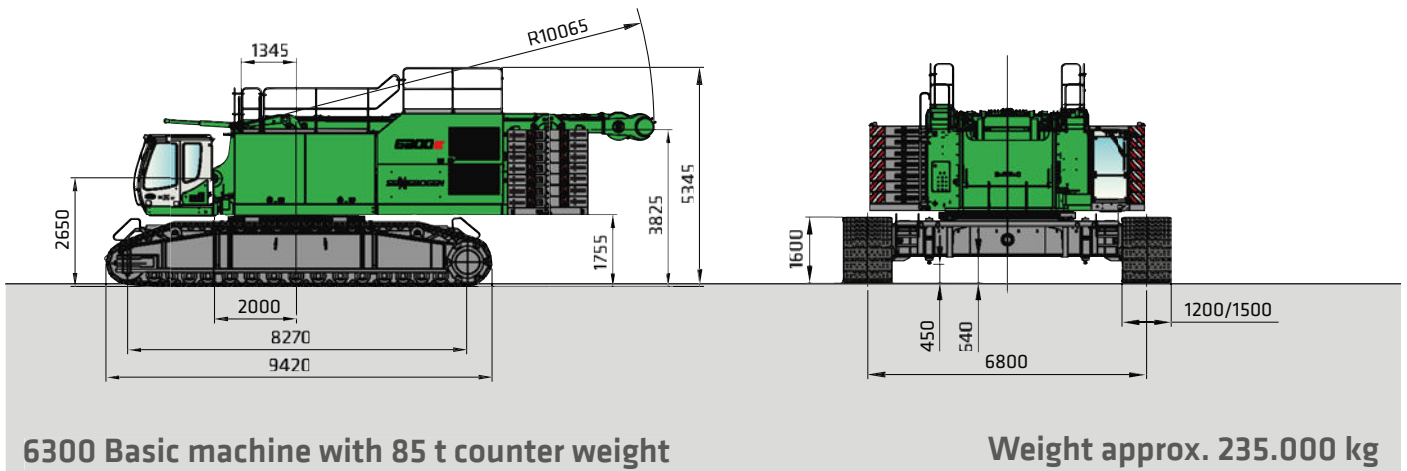
**Note:**

1. The specified safe working load values apply for firm and level stance of the machine.
2. The safe working load values are specified in tons (t) and apply for 360 degrees.
3. The safe working loads apply for the maximum outrigger width / undercarriage track width.
4. The specified safe working load values include the weight of the dragline bucket and do not exceed 75% of the tipping load.
5. Die Traglast ist begrenzt durch den maximalen Seilzug bzw. durch die maximale Windenzugkraft einer Winde

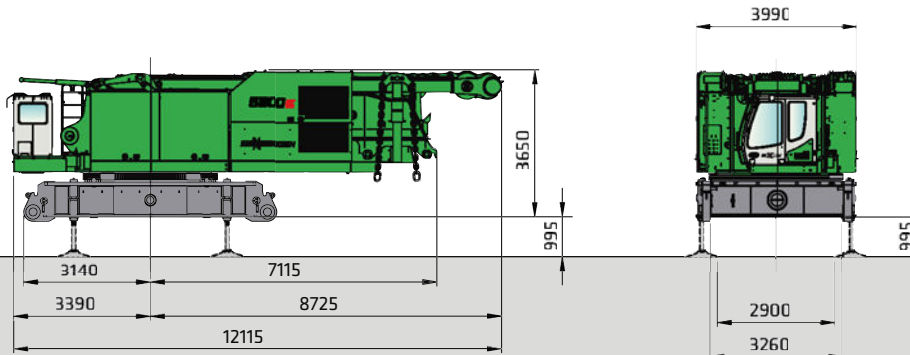
Winch pulling force [kN]	350	450
Rope diameter [mm]	36	42
Min. breaking load [kN]	1243	1598
max. safe working load in dragline operation [t]	35,0	45,0

# 6300E Dimensions

# HD

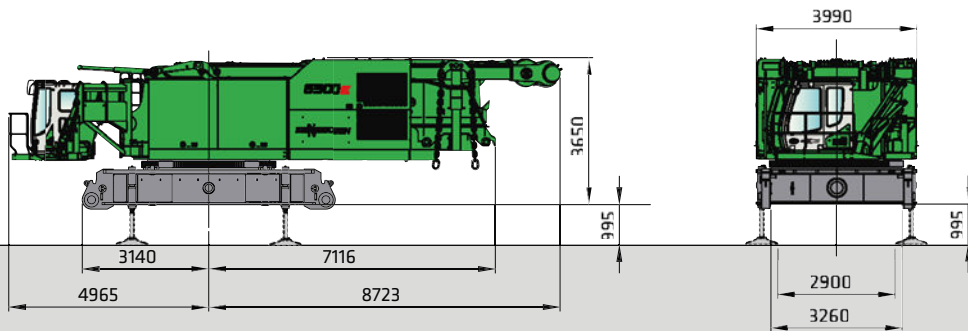


# 6300E Transport dimensions and weights



6300 basic machine without lower boom

Weight 98.000 kg



6300 Basic machine without lower boom,  
with hydraulically elevating cab maXcab E270 (Option)

Weight 99.000 kg

# 6300E Transport dimensions

# HD

	<p>Crawler with 1200 mm flat shoes 1200 mm flat shoes 2x 26000 kg (Option 1500 mm flat shoes) 2x 27500 kg</p>
	<p>Counterweight base plate 1x 15000 kg</p>
	<p>Counterweight 105 t 18x 5000 kg 85 t 14x</p>
	<p>Counterweight 2x 20000 kg (only 105 t counterweight)</p>
	<p>Undercarriage podium 2x 700 kg (only 85 t counterweight)</p>
	<p>Lower boom SH 7 m type 2989 incl. fairlead and 6 t winch 8600 kg</p>
	<p>Boom insert SH 5,6 m type 2989 (with SH pendants) 2270 kg</p>
	<p>Boom insert SH 11,2 m type 2989 (with SH pendants) 3800 kg</p>
	<p>Upper boom SH 8,9 m Type 2989 (with SH pendants) = conus SH 7,4 m + Pulley head 1.5 m) 6550 kg</p>
	<p>Auxiliary jib S48.1 max. capacity 48 t 1380 kg</p>

# 6300E Transport dimensions

# HD



## Hooks

For 450 kN winches with 42 mm rope diameter

Capacity	Weight	Rope strands and maximum load rating [kg]												
		12	11	10	9	8	7	6	5	4	3	2	1	
40 t	1000 kg													33,0
100 t 1-pulley	3100 kg											98,0	65,7	33,0
230 t 3-pulley	4400 kg							224,2	193,1	161,7	130,0	98,0	65,7	33,0
320 t 5-pulley	4600 kg			300,0	285,4	254,9	224,2	193,1	161,7	130,0	98,0	65,7	33,0	

For 350 kN winches with 36 mm rope diameter

Capacity	Weight	Rope strands and maximum load rating [kg]												
		12	11	10	9	8	7	6	5	4	3	2	1	
30 t	750 kg													24,0
80 t 1-pulley	2200 kg											71,3	47,8	24,0
170 t 3-pulley	4000 kg							163,0	140,4	117,6	94,6	71,3	47,8	24,0
250 t 5-pulley	4200 kg		251,2	229,5	207,6	185,4	163,0	140,4	117,6	94,6	71,3	47,8	24,0	
300 t 6-pulley	4400 kg	272,7	251,2	229,5	207,6	185,4	163,0	140,4	117,6	94,6	71,3	47,8	24,0	

### Hook blocks for rope diameter 36 mm

	Hook block	320 t	6 pulley	4400 kg
	Hook block	250 t	5 pulley	4200 kg
	Hook block	170 t	3 pulley	4000 kg
	Hook block	80 t	1 pulley	2200 kg
	Load hook	30 t		750 kg

### Hook blocks for rope diameter 42 mm

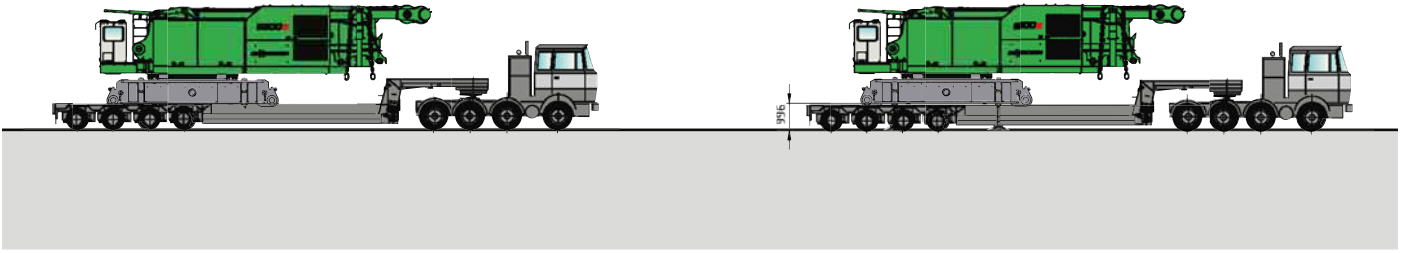
	Hook block	320 t	5 pulley	4600 kg
	Hook block	230 t	3 pulley	4400 kg
	Hook block	100 t	1 pulley	3100 kg
	Lasthaken	40 t		1000 kg

# 6300E Self-assembly system

# HD

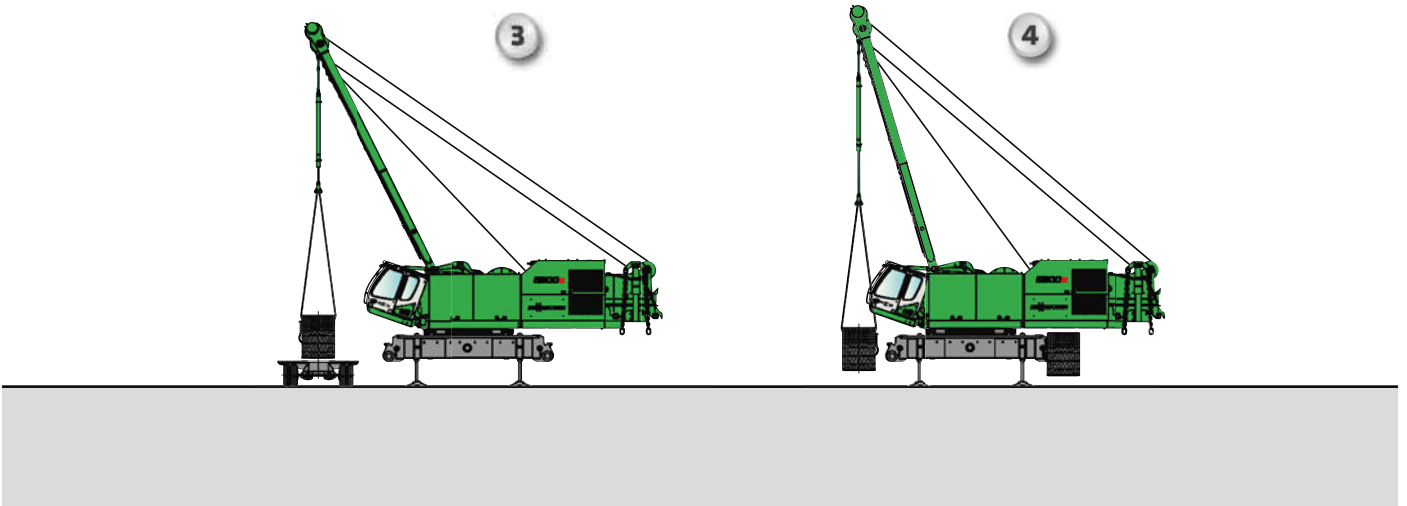
1

2



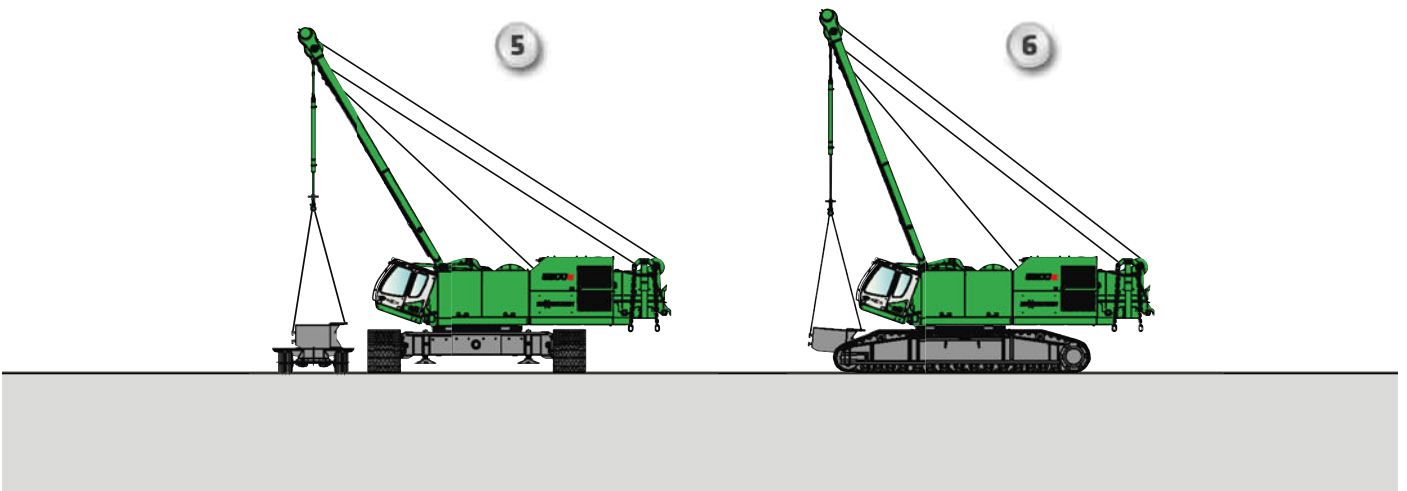
3

4



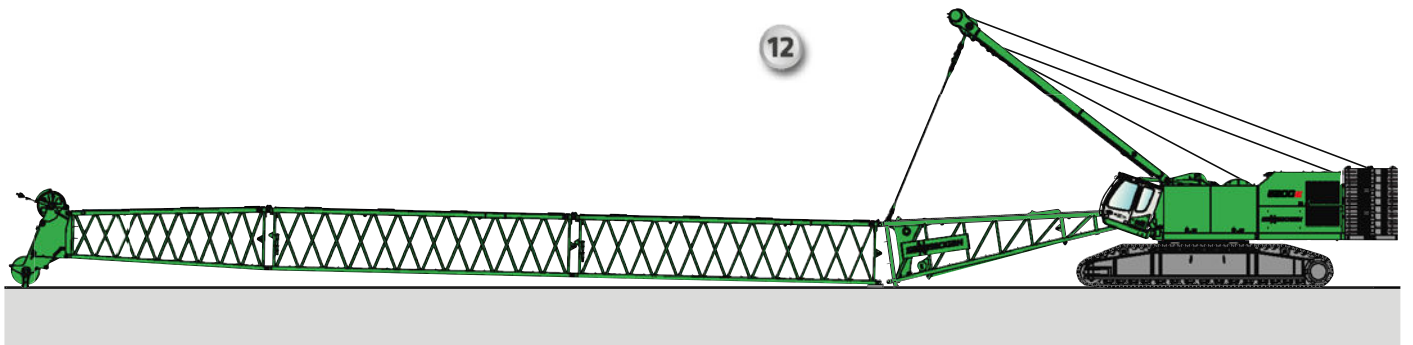
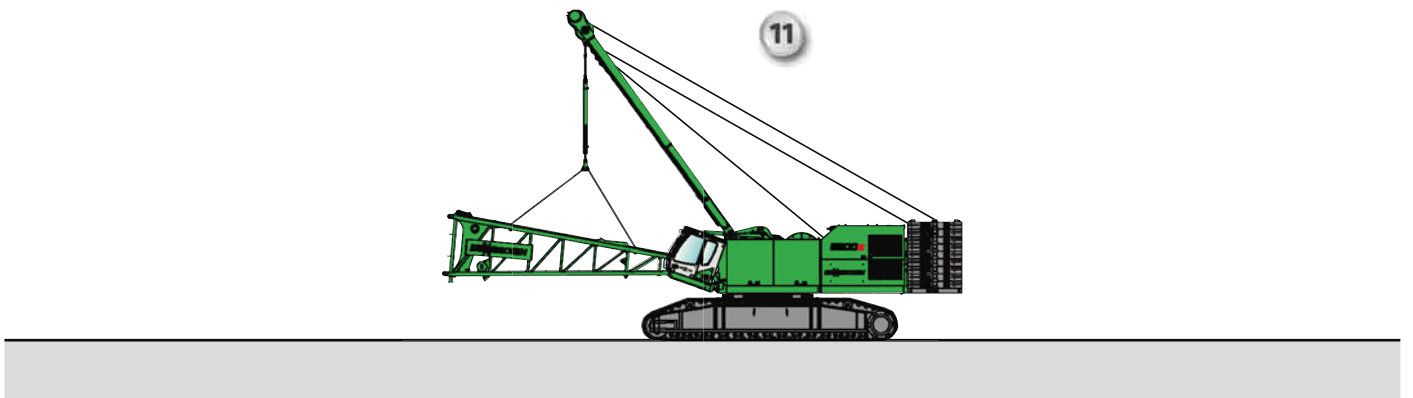
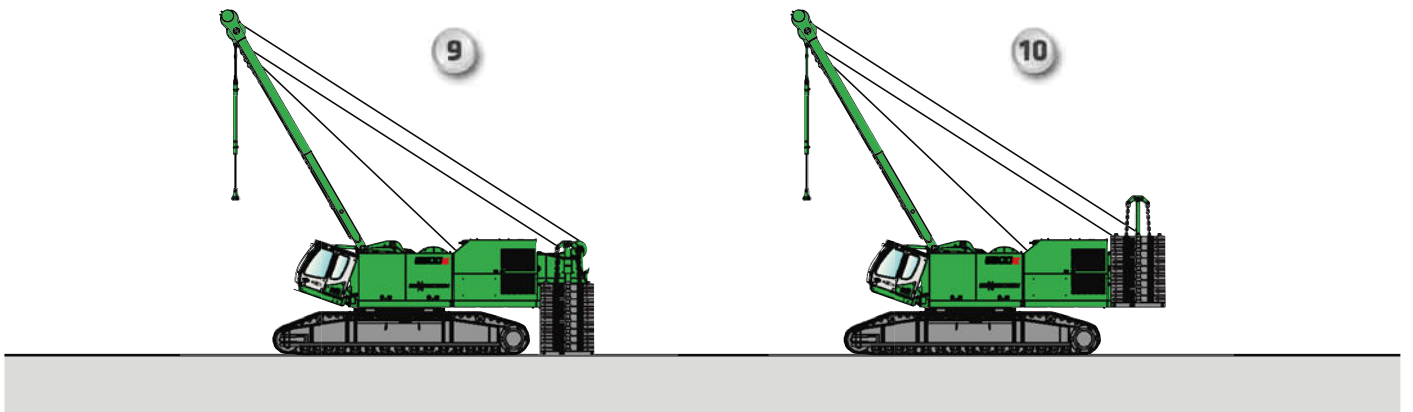
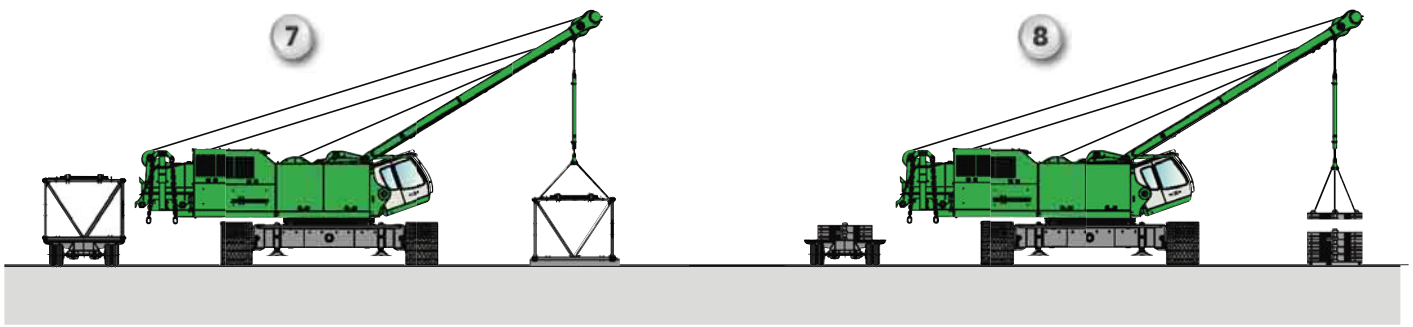
5

6

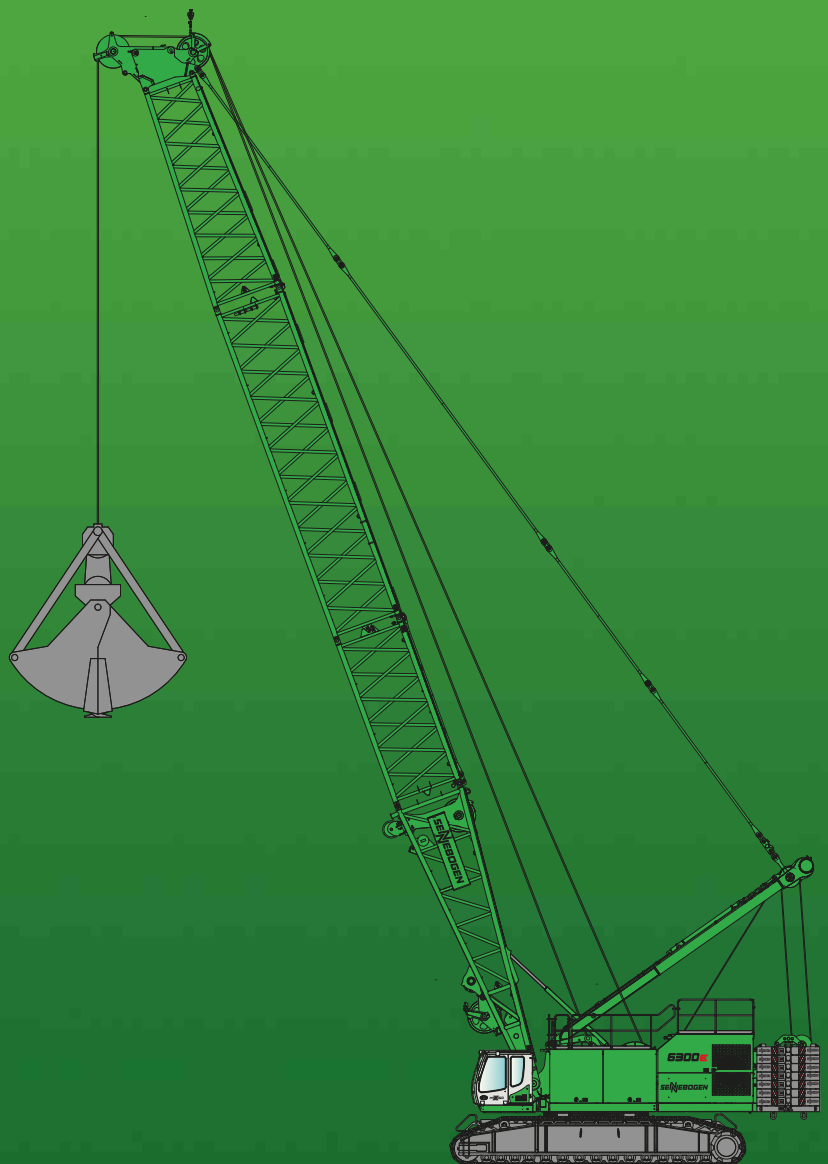


# 6300E Self-assembly system

# HD



# 6300E HD



This catalog describes machine models, scopes of equipment of individual models, and configuration options (standard equipment and optional equipment) of the machines delivered by SENNEBOGEN Maschinenfabrik. Machine illustrations can contain optional equipment and supplemental equipment. Actual equipment may vary depending on the country to which the machines are delivered, especially in regard to standard and optional equipment.

All product designations used may be trademarks of SENNEBOGEN Maschinenfabrik GmbH or other supplying companies, and any use by third parties for their own purposes may violate the rights of the owners.

Please contact your local SENNEBOGEN sales partner for information concerning the equipment variants offered. Requested performance characteristics are only binding if they are expressly stipulated upon conclusion of the contract. Delivery options and technical features are subject to change. Errors and omissions excepted. Equipment is subject to change, and rights of advancement are reserved.

© SENNEBOGEN Maschinenfabrik GmbH, Straubing/Germany. Reproduction in whole or in part only with written consent of SENNEBOGEN Maschinenfabrik GmbH, Straubing, Germany.

**SENNEBOGEN**

**SENNEBOGEN**  
**Maschinenfabrik GmbH**  
Sennebogenstraße 10  
94315 Straubing, Germany

Tel. +49 9421 540-144/146  
Fax +49 9421 43 882  
marketing@sennebogen.de

Order no. / Item no. 299066  
6300-E-041510

GO FOR GREEN

 [www.sennebogen.com](http://www.sennebogen.com)