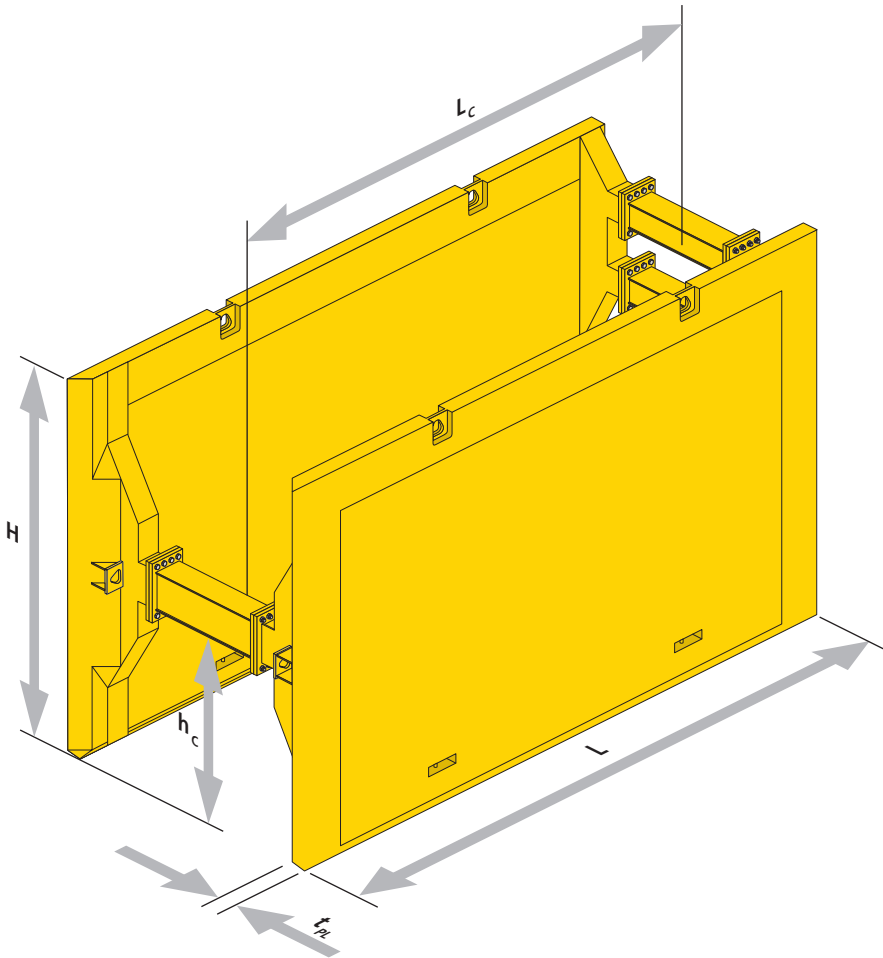


DRAG BOX

Series 650

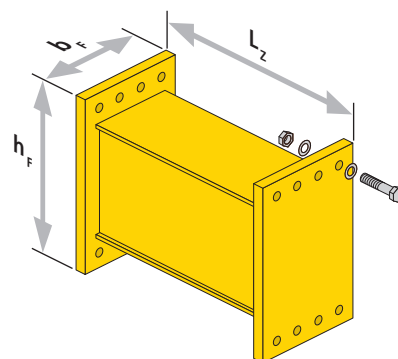


Plates $t_{PL} = 127\text{mm}$

Plate length L [m]	Plate height H [m]	Pipe clearance length L_c [m]	Pipe clearance height h_c [m]	Permissible earth pressure [kN/m ²]	Weight w/o distance piece [kg/box]
4.00	3.00	3.22	1.82	32.5	3430
4.50	3.00	3.72	1.82	28.9	3740
5.00	3.00	4.22	1.82	26.0	4030
5.50	3.00	4.72	1.82	23.7	4360

Distance piece

Length L_z [m]	Weight Flange 290 x 360mm (2x rear) [kg]	Weight Flange 290 x 460mm (1x front) [kg]
0.25	68	86
0.50	83	105
0.75	100	127
1.00	116	147



If desired, we can also deliver plates with alternative dimensions.