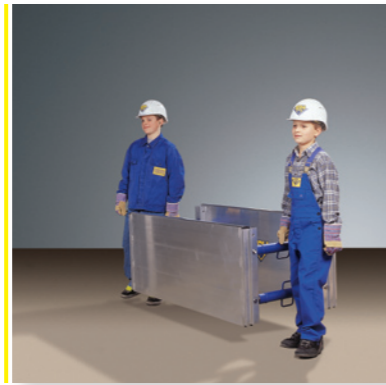


Childishly easy assemblment



The 60 cm high aluminium plates can be easily installed - just bolt the struts into the plates - make sure everything is secured - finished!



The assembled plates and struts can now be installed in the pre-excavated trench - by hand.



Should you require a trench box, just guide the number of plates you need into the corner posts.



If you require manhole shoring: guide the plates into the corner posts - enclosing three or four sides as required - then secure with bolts - finished!



Bolt the struts into the corner posts and secure - finished!



Now the trench box is ready: using the place and adjust method install into the 2,40 metres deep trench - finished!



ALUMINIUM SHORING

Series 250

Economical flexibility

The SBH Aluminium Light Weight Shoring is worth its while for even the smallest of projects and is definitely the right system for speedy construction projects.



SBH Tiefbautechnik GmbH
Ferdinand-Porsche Straße 8
D - 52525 Heinsberg

Tel. +49 (0) 24 52/91 04 0
Fax +49 (0) 24 52/91 04 50

info@sbh-tiefbautechnik.com
www.sbh-tiefbautechnik.com



Lightweight

Quick

Save

Stable



ALUMINIUM SHORING

Series 250

Shoring made easy

The SBH Aluminium Light Weight Shoring is meant for smaller trench shoring projects. This end-supported shoring system is of modular construction and is quick and cost effective. It functions in combination with corner posts as a trench box or shoring and can be installed to a depth of 2,40 m.

This way the corner post is able to hold struts or more shoring plates. Despite its amazing lightweight, the SBH Aluminium Light Weight Shoring is extremely

safe, as only highly solid Aluminium F 25 is used during the production.

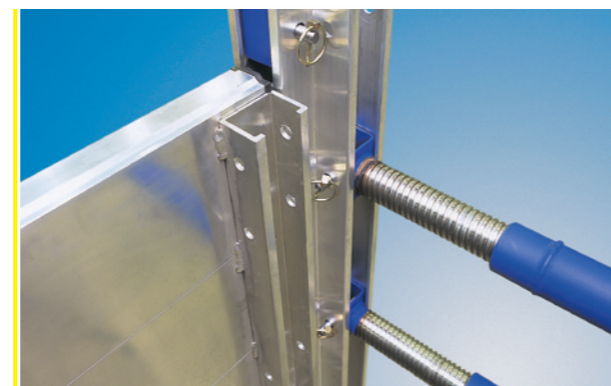
This enables the robust lightweight shoring to be assembled and installed by just two people. The simple pin connection with bolts and clips makes it possible.

The solution for

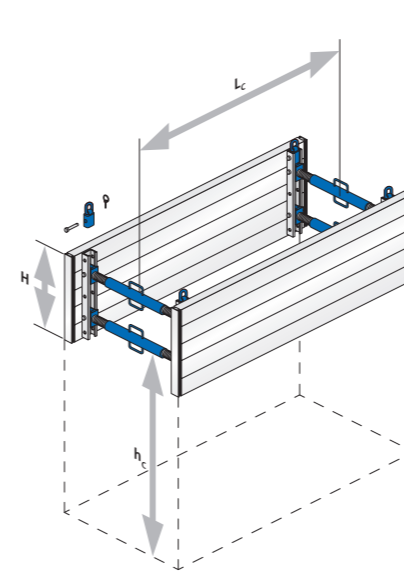
- inner-city pipe line construction work
- branch-lines to buildings
- gas- and water pipe-lines
- cable laying
- manholes

Aluminium plates $t_{pl}=60\text{mm}$

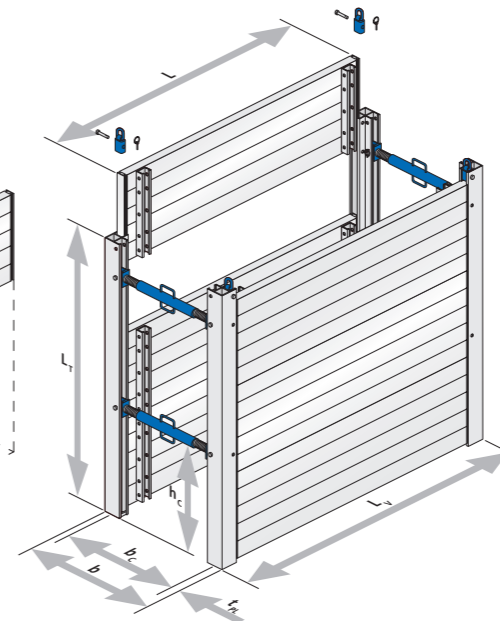
Plate length L [m]	System length L_v [m]	Shoring height H [m]	Pipe clearance length L_c [m]	Pipe clearance height h_c [m]	Safe working load [kN/m ²]	Weight c/w strut B [kg/box]	Weight [kg/manhole]
1.50	1.50	0.60	1.18	1.32	32.6	95	130
	1.72	1.20	1.58	0.71		185	250
		1.80		320		485	
2.00	2.00	0.60	1.68	1.32	26.5	110	160
	2.22	1.20	2.08	0.71		215	305
		1.80		295		450	
2.50	2.50	0.60	2.18	1.32	21.6	120	185
	2.72	1.20	2.58	0.71		240	360
		1.80		340		535	
3.00	3.00	0.60	2.68	1.32	17.5	135	215
	3.22	1.20	3.08	0.71		270	420
		1.80		380		620	
		2.40				490	825



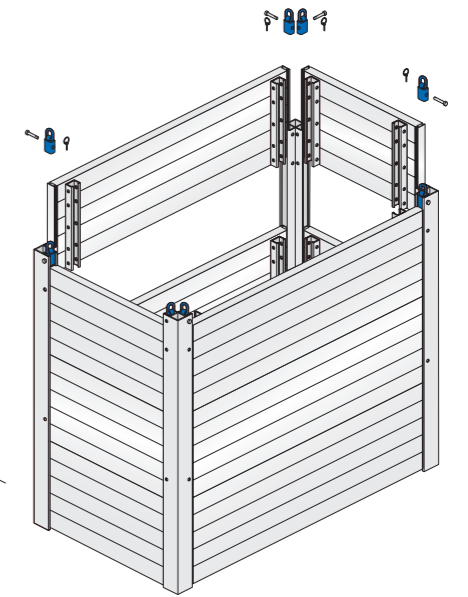
Trench edge support



Shoring box

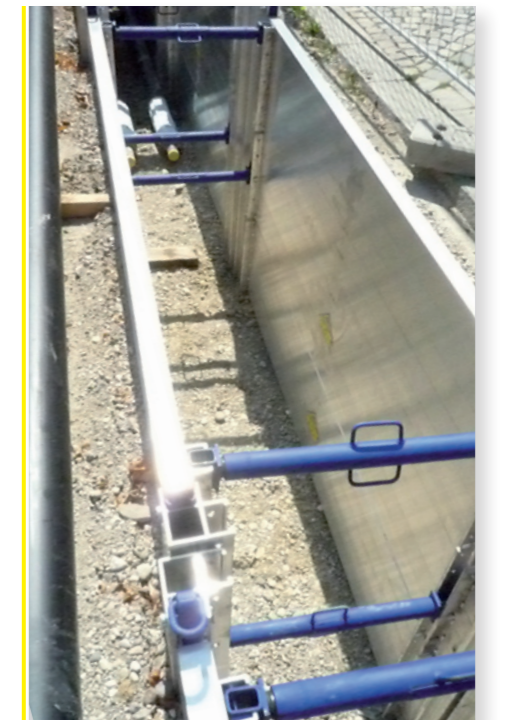
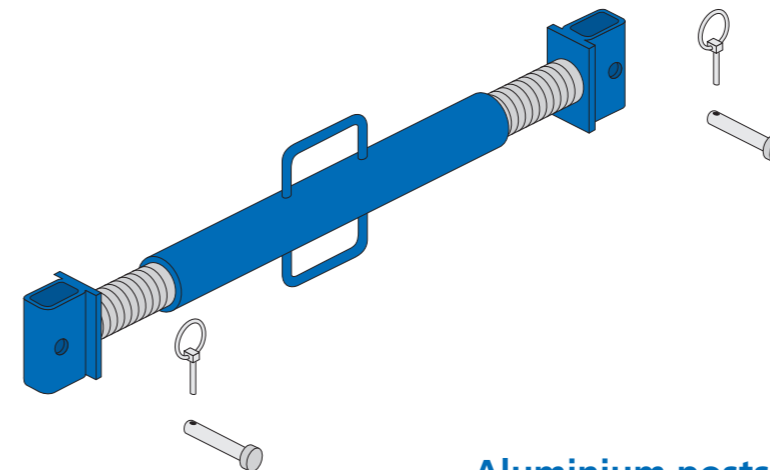


Pit



Aluminium struts

Strut type	Working width b_c [m]		Trench width b [m]		Permissible compressive force [kN]	Weight [kg]
	min.	max.	min.	max.		
A	0.63	0.85	0.78	1.00	109	7.3
B	0.85	1.31	1.00	1.46	92	9.4
C	1.32	2.23	1.47	2.38	62	13.6



Aluminium posts

Post length L_T [m]	Weight [kg]
0.70	5.4
1.30	10.0
1.90	14.6
2.50	19.2

