



An all-rounder

6 different strut types make SBH lightweight shoring a real all-rounder in its field.

Depending on the job, trench widths between 65 centimetres and 3.21 metres can be shored safely.



www.team1-vk.de

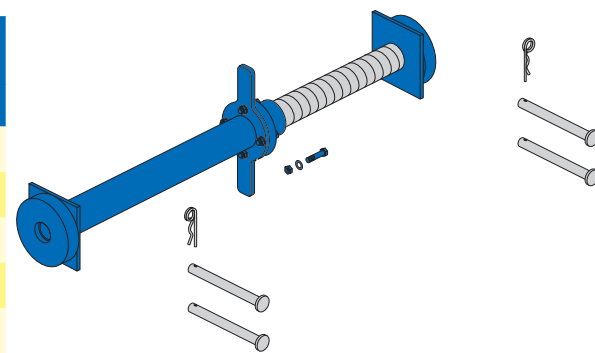


LIGHT WEIGHT SHORING

Series 100

Light weight strut

Stut type	Working width b_c [m]		Trench width b [m]		Permissible compressive force [kN]	Weight [kg]
	min.	max.	min.	max.		
A	0,53	0,73	0,66	0,86	160	14,2
B	0,71	1,07	0,84	1,20	147	16,9
C	1,05	1,65	1,18	1,78	124	20,9
D	1,50	2,10	1,63	2,23	107	23,6
E	1,88	2,48	2,01	2,61	92	25,8
F	2,48	3,08	2,61	3,21	69	29,3



SBH Tiefbautechnik GmbH
 Ferdinand-Porsche Straße 8
 D - 52525 Heinsberg

Tel. +49 (0) 24 52/91 04 0
 Fax +49 (0) 24 52/91 04 50

info@sbh-tiefbautechnik.com
 www.sbh-tiefbautechnik.com



Simple

Durable

Economical



LIGHT WEIGHT SHORING

Series 100

Small-sized shoring, great flexibility

SBH lightweight steel shoring is chosen all over the world as the preferred shoring system for small to middle-sized trenches and use of lightweight excavators.



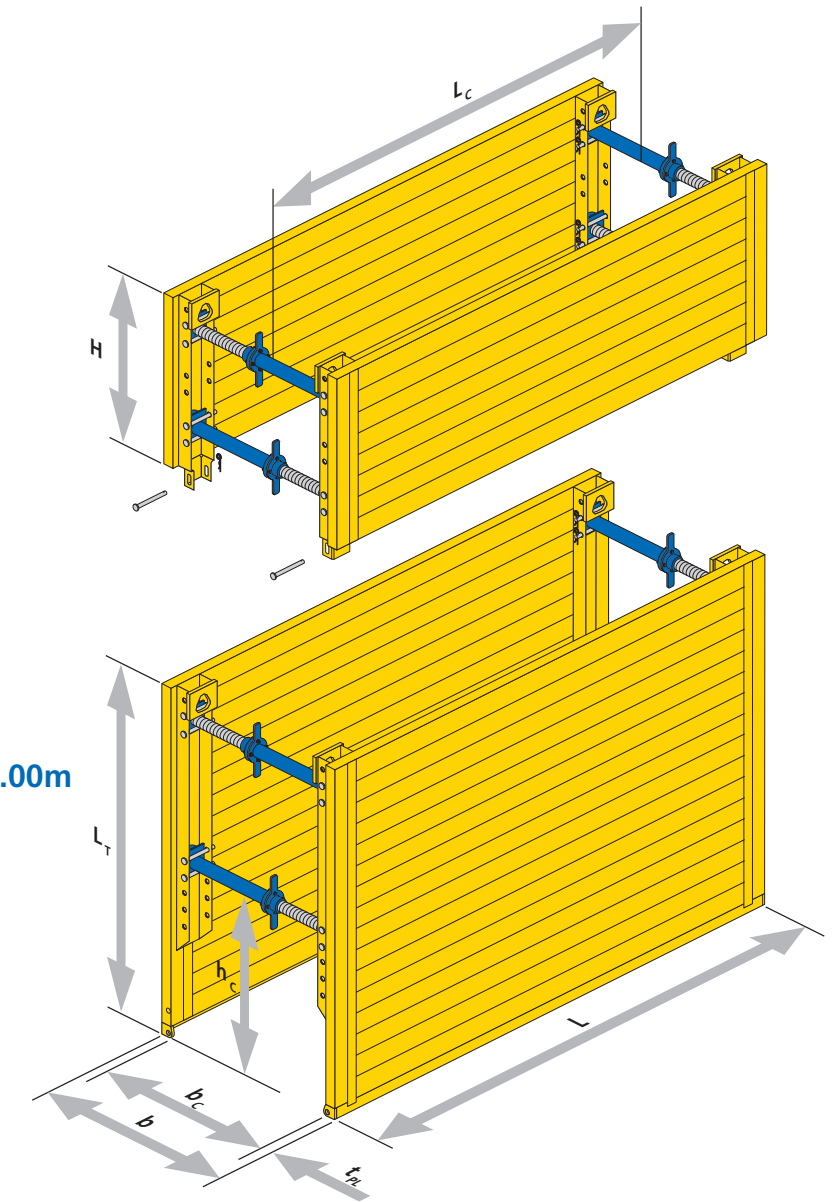
The system is versatile and is particularly suitable for supply lines and service lines.



Variable system

The base plates are available in lengths from 2.00m up to 3.50m and heights from 1.60m up to 2.60m. Deeper trenches can be shored using top boxes.

- ➔ ideal for house service connection
- ➔ Place and adjust method only
- ➔ Lightweight construction with plate thickness of 60 mm
- ➔ Recommended trench depth up to 3.00m



Plates $t_{PL} = 60\text{mm}$

Plate length L [m]	Plate height H [m]	Pipe clearance length L_c [m]	Pipe clearance height h_c [m]	Safe working load [kN/m ²]	Weight c/w strut B [kg/box]
2.00	1.60	1.60	0.94	27.7	570
	2.00				670
	2.40				770
	2.60				830
2.50	0.60	2.10	0.94	22.1	275
	1.00				415
	1.60				655
	2.00				770
3.00	2.40	2.60	0.94	18.5	890
	2.60				965
	0.60				315
	1.00				470
3.50	1.60	3.10	0.94	15.3	745
	2.00				875
	2.40				1010
	2.60				1095
	0.60				355
	1.00				525
	1.60				830
	2.00				980
	2.40				1130
	2.60				1230
	0.60				395
	1.00				585