

MONTHS WARRANTY
24
MONTHS WARRANTY

4.18

RTH



MAIN SECTORS



INDUSTRY

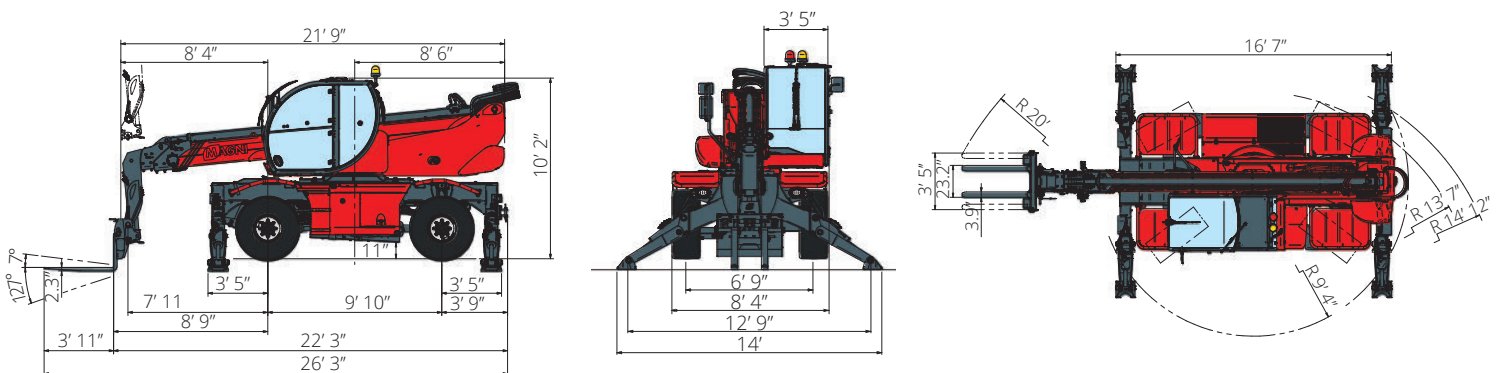


CONSTRUCTION

Maximum lifting height: 58'
Maximum reach: 47'
Electronically controlled hydrostatic transmission
Automatic leveling device
Pivoting stabilizers

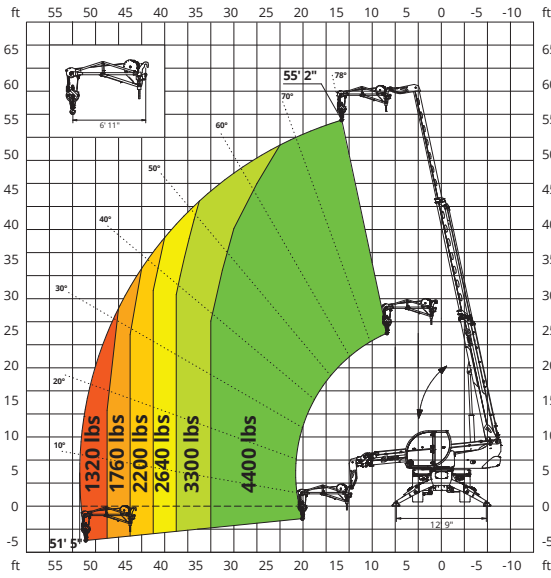
MACHINE MODEL	Rotating telescopic handler	RTH 4.18
	Maximum lifting capacity	8,800 lbs (center of gravity 24 in)
	Maximum lifting height	58'
	Rotation	400° (limited)
ENGINE	Type	Deutz TCD 3,6 L4 Tier 4f
	Rated power	55 kW (75 HP) @ 2,200 rpm
	Maximum torque	390 Nm @ 1,300 rpm
	Displacement	0.95 US gal
	Cylinders	4 in line
	Engine configuration	Turbocharged direct injection diesel
	Cooling system	Water - intercooler
TRANSMISSION	Type	Hydrostatic
	Model	Rexroth
	Maximum pressure	500 bar
	Displacements	Hydraulic control variable displacement pump and motor
	Gear box	Dropbox, 2 speeds forward-reverse
AXLES AND BRAKES	Type	Axles with planetary gearboxes
	Rear axle	Steering and oscillating with hydraulic locking
	Front axle	Steering
	Service brake	Hydraulically operated wet multi-disk brakes on each axle
	Parking brake	Hydraulic with negative action
	Tyres dimensions	18 R19.5 (445/65 R19.5)
PERFORMANCE	Max. travel speed	15 Mph
	Drawbar pull	74 kN
	Gradeability	53%
	Turning radius (end of forks)	240"
WEIGHTS	Total unladen	31,750 lbs
	Front axle unladen (boom retracted and lowered)	13,890 lbs
	Rear axle unladen (boom retracted and lowered)	17,860 lbs
TANK AND SYSTEM CAPACITIES	Fuel tank	46.2 US gal
	AdBlue	2.6 US gal
	Hydraulic oil tank	43.6 US gal
	Engine oil tank	2.4 US gal
	Cooling liquid	5.3 US gal
HYDRAULIC CIRCUIT FOR MOVEMENTS	Max. operating system pressure	270 bar
	Circuit type	Gear pump
	Service pump	Casappa
	Controls for boom and turret movements	Danfoss – SIL 2 electro-proportional valve
	Controls for stabilizers	Bosch Rexroth - Electro-hydraulics controls
	Movements control	2 no. two-axis Danfoss joysticks with deadman safety device - Managed via CAN bus
STANDARDS MET	EN 1459-2: concerning standards for slewing variable-reach trucks EN 13000: concerning standards for hydraulic cranes EN 280: concerning standards for mobile elevating work platforms FOPS/ROPS EU 2016/1628: concerning engine emissions standards	

The data in this brochure are informative and subject to change without notice



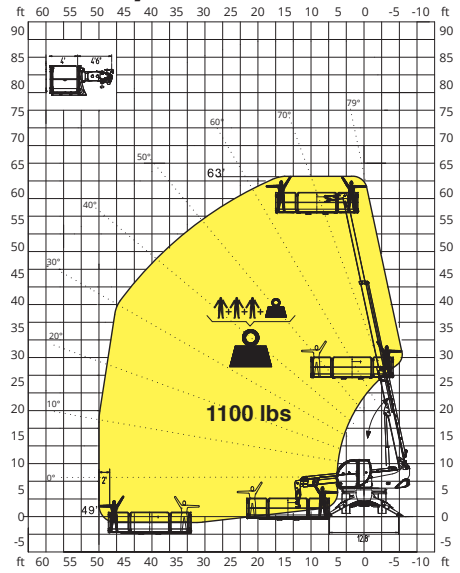
JW 2000

JIB WINCH **4,400 lbs**



REP 2-4,5

ROTATING EXTENDABLE BASKET **1,100 lbs**



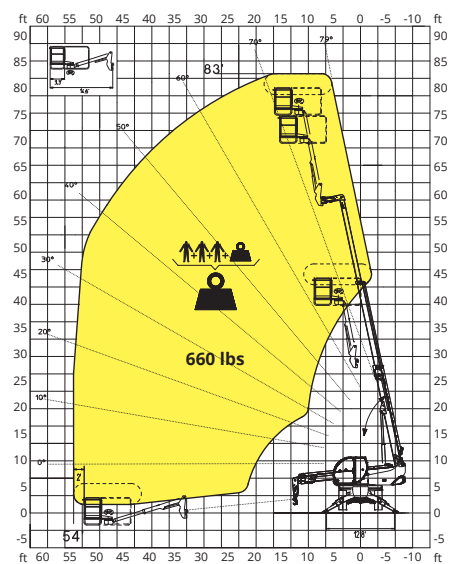
REP 10.2-4,7

ROTATING EXTENDABLE BASKET **2,200 lbs**



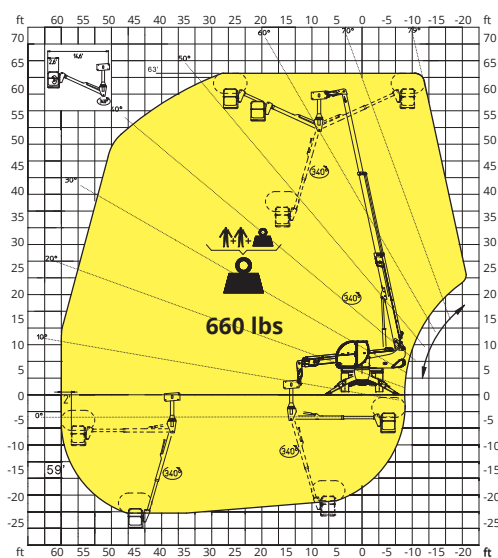
TP

TELESCOPIC PIVOTING BASKET WITH 180° ROTATION



TP O-U

TELESCOPIC PIVOTING OVER-UNDER BASKET WITH 340° ROTATION



TP O-U

TELESCOPIC PIVOTING OVER-UNDER BASKET WITH 340° ROTATION

