



4.18



MAIN SECTORS



INDUSTRY

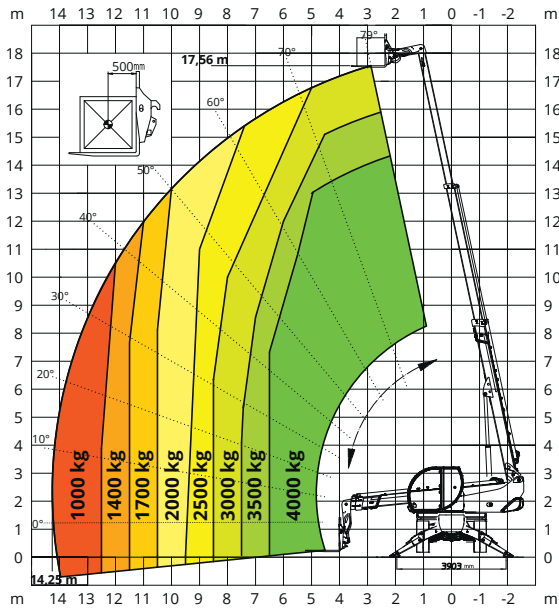


CONSTRUCTION

- Maximum lifting height: 17.56 m
- Maximum reach: 14.25 m
- Electronically controlled hydrostatic transmission
- Automatic levelling device
- Pivoting stabilizers

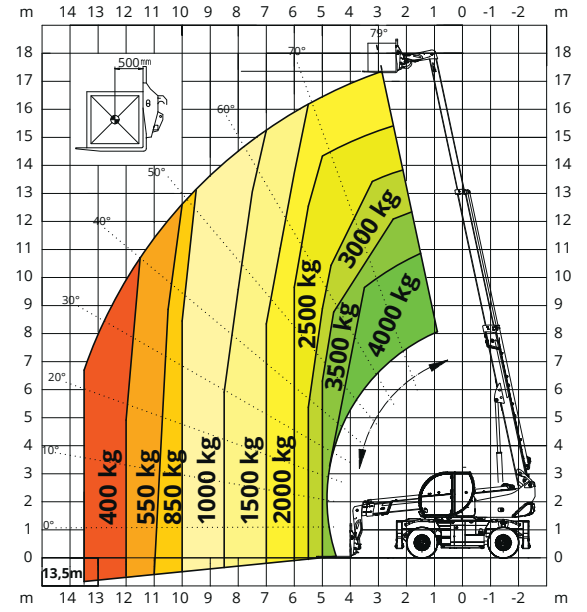
ON STABILISERS

360° LOAD CHART ON FULLY EXTENDED STABILISERS



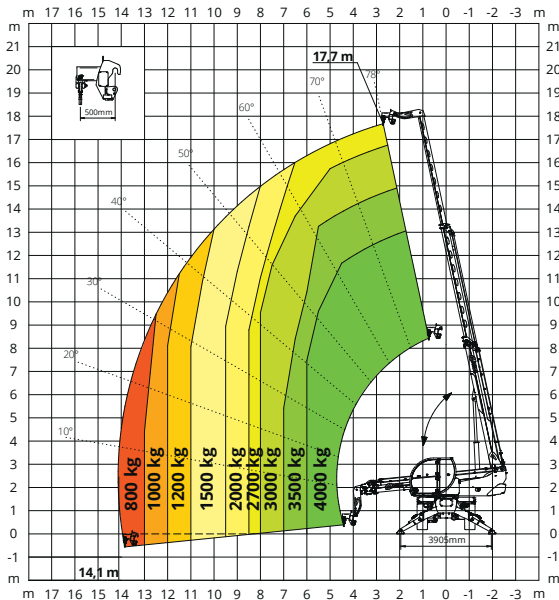
ON TYRES

FRONTAL LOAD CHART ON TYRES



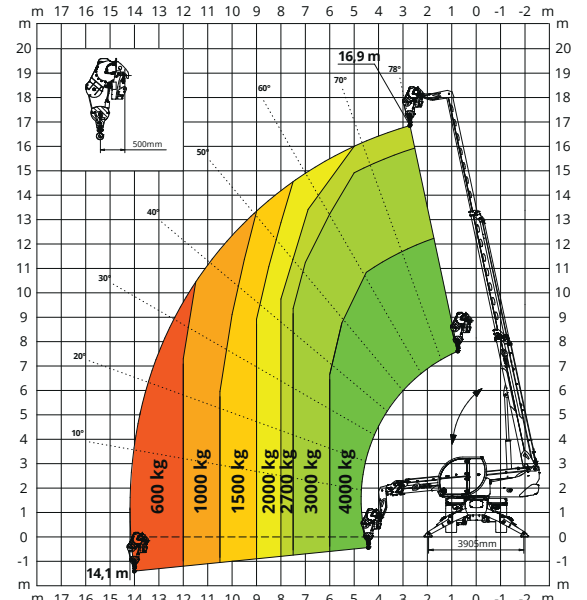
H 4

HOOK 4,000 kg



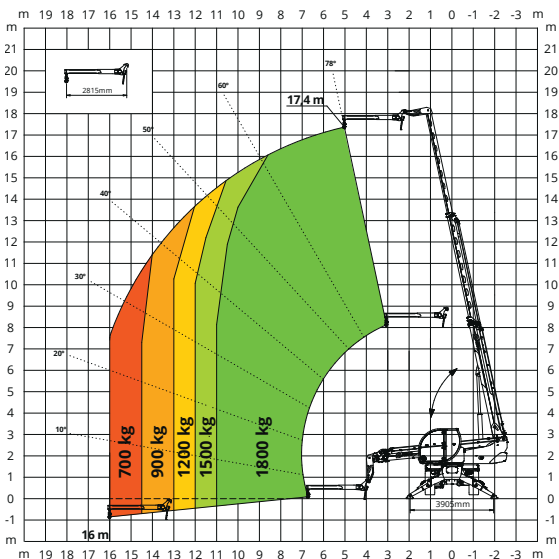
W 4

WINCH 4,000 kg



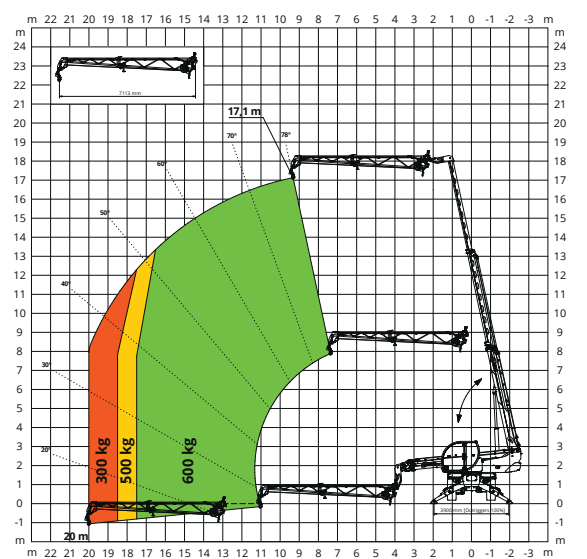
J 1800

JIB 1,800 kg



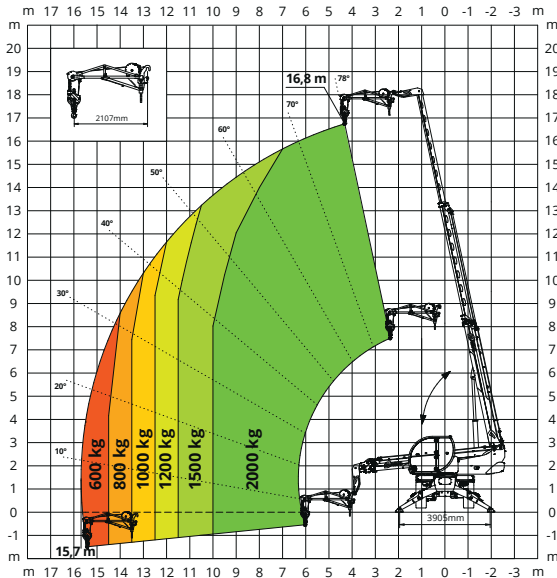
JW 600

JIB WITH WINCH 600 kg



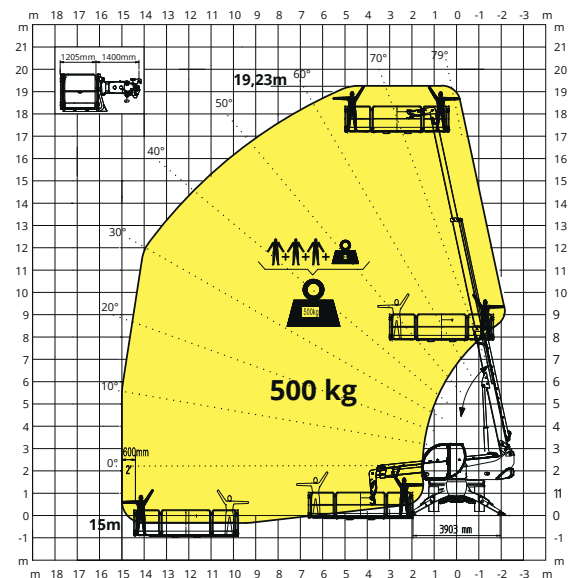
JW 2000

JIB WITH WINCH **2,000 kg**



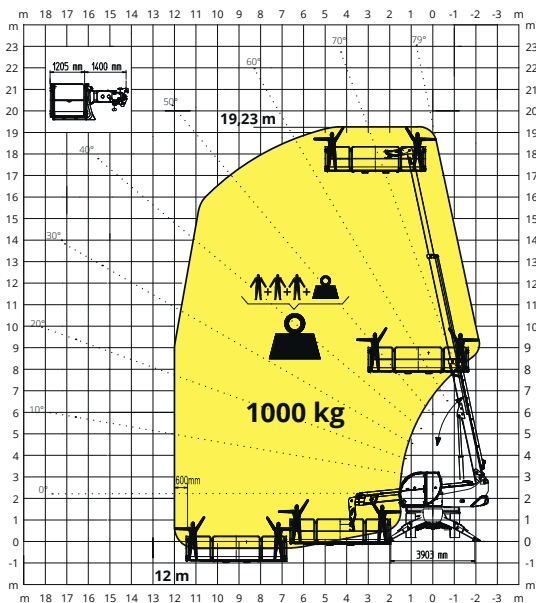
REP 2-4,5

ROTATING EXTENDABLE BASKET **500 kg**



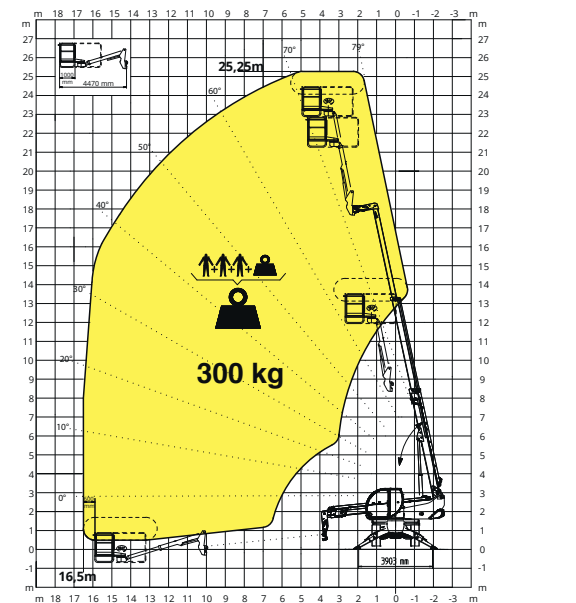
REP 10.2-4,7

ROTATING EXTENDABLE BASKET **1,000 kg**



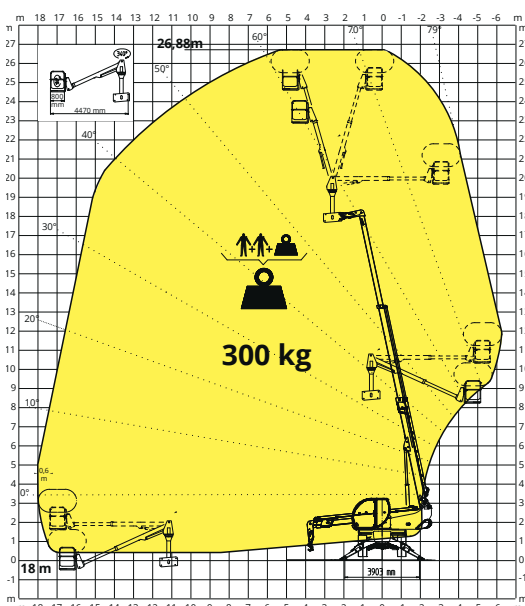
TP

TELESCOPIC PIVOTING BASKET WITH 180° ROTATION



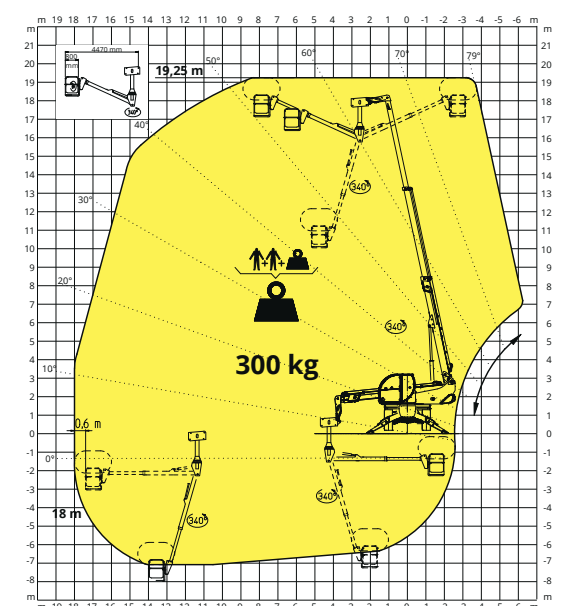
TP O-U

TELESCOPIC PIVOTING OVER-UNDER BASKET WITH 340° ROTATION



TP O-U

TELESCOPIC PIVOTING OVER-UNDER BASKET WITH 340° ROTATION



| | | | | |
|---------------------------------|---|--|----------------------------------|--|
| MACHINE MODEL | Rotary telescopic handler | RTH 4.18 | | |
| | Maximum lifting capacity | 4,000 kg (centre of gravity 500 mm) | | |
| | Maximum lifting height | 17.56 m | | |
| | Rotation | 400° (limited) | | |
| ENGINE | Type | Deutz TCD 3,6 L4 Stage V | Deutz TCD 3,6 L4 Stage IV | Deutz TCD 3,6 L4 EDG Stage IIIA |
| | Rated Power | 55 kW (75 hp) @ 2,200 rpm | | |
| | Maximum torque | 405 Nm @ 1,300 rpm | 390 Nm @ 1,300 rpm | |
| | Displacement | 3.6 l | | |
| | Cylinders | 4 in line | | |
| | Engine configuration | Turbocharged direct injection diesel | | |
| | Cooling System | Water - intercooler | | |
| TRANSMISSION | Type | Hydrostatic | | |
| | Model | Rexroth | | |
| | Maximum pressure | 440 bar | | |
| | Displacement | Hydraulic transmission with variable displacement | | |
| | Gearbox | Dropbox, 2 speeds forward-reverse | | |
| AXLES AND BRAKES | Type | Axles with planetary gearboxes | | |
| | Rear axle | Oscillating and steering with hydraulic locking | | |
| | Front axle | Steering | | |
| | Service brake | Hydraulically operated wet multi-disk brakes on each axle | | |
| | Parking brake | Hydraulic with negative action | | |
| | Tyre sizes | 18 R19,5 (445/65 R19,5) | | |
| PERFORMANCE | Max. travel speed | 25 km/h | | |
| | Drawbar pull | 74 kN | | |
| | Gradeability | 53% | | |
| | Turning circle (at forks) | 6,120 mm | | |
| WEIGHTS | Total unladen | 14,400 kg | | |
| | Front axle unladen (boom retracted and lowered) | 6,300 kg | | |
| | Rear axle unladen (boom retracted and lowered) | 8,100 kg | | |
| TANK AND SYSTEM CAPACITIES | Diesel fuel tank | 175 l | 175 l | 175 l |
| | AdBlue | 10 l | 10 l | - |
| | Hydraulic fluid | 165 l | 165 l | 165 l |
| | Engine oil | 9 l | 9 l | 9 l |
| | Cooling liquid | 20 l | 20 l | 20 l |
| HYDRAULIC CIRCUIT FOR MOVEMENTS | Max. working pressure | 270 bar | | |
| | Circuit type | Gear pump | | |
| | Service pump | Casappa - Variable displacement | | |
| | Distributor for boom and turret movements | Danfoss - SIL 2 electro-proportional valve | | |
| | Distributor for stabilisers | Bosch Rexroth - Electro-hydraulic actuators | | |
| | Movements control | 2 no. two-axis Danfoss joysticks with deadman safety device Managed via CAN bus | | |
| STANDARDS MET | EN 1459-2: concerning standards for slewing variable-reach trucks EN 13000: concerning standards for mobile cranes EN 280: concerning standards for mobile elevating work platforms FOPS/ROPS EU 2016/1628: concerning engine emissions standards | | | |

The data in this brochure are informative and subject to change without notice

