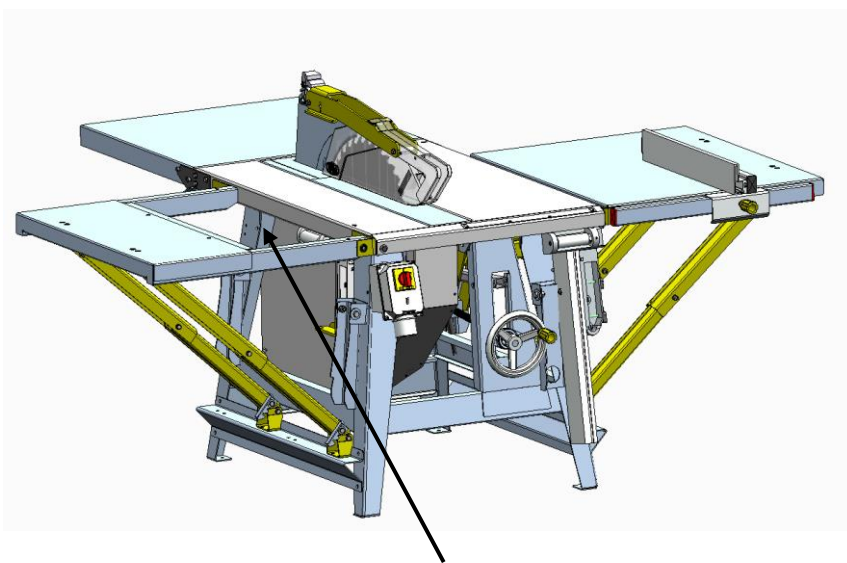
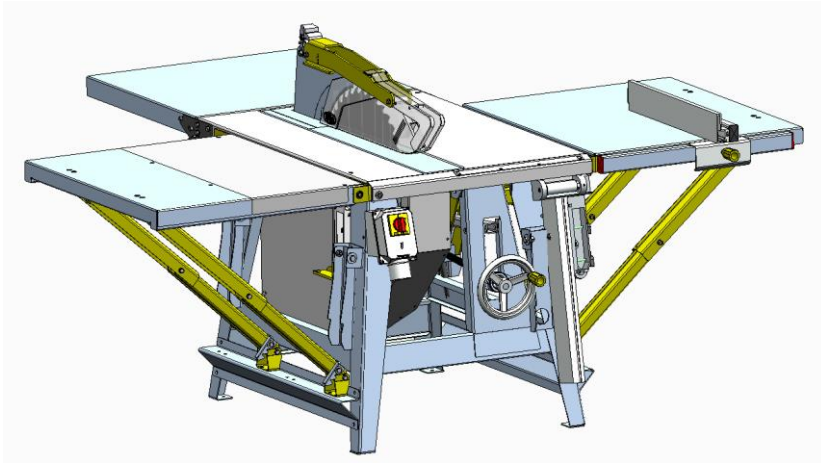


A spacer plate is required for the seamless transition from the machine table to the right table extension.



To use the cross cutting device the table insert is to remove.

